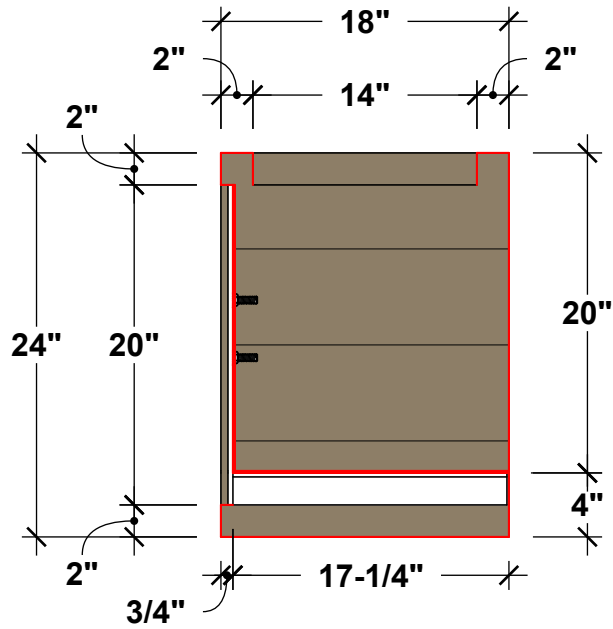
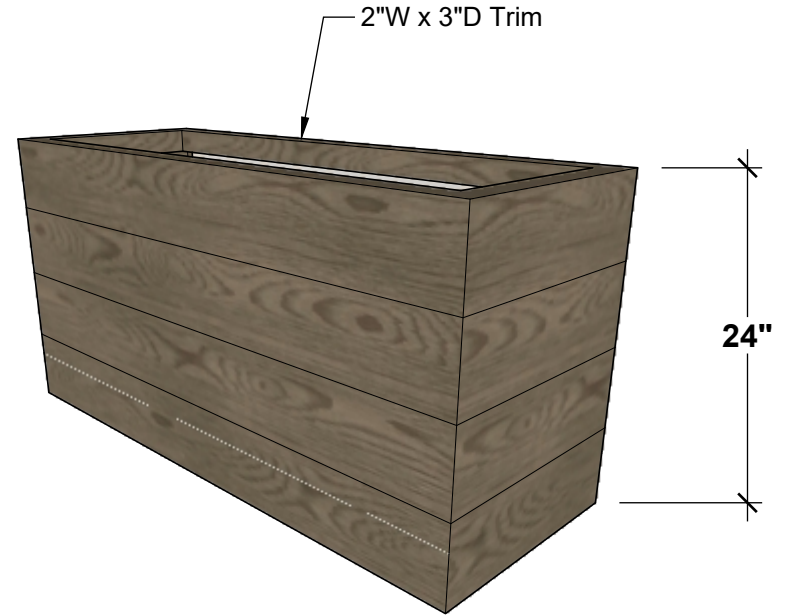


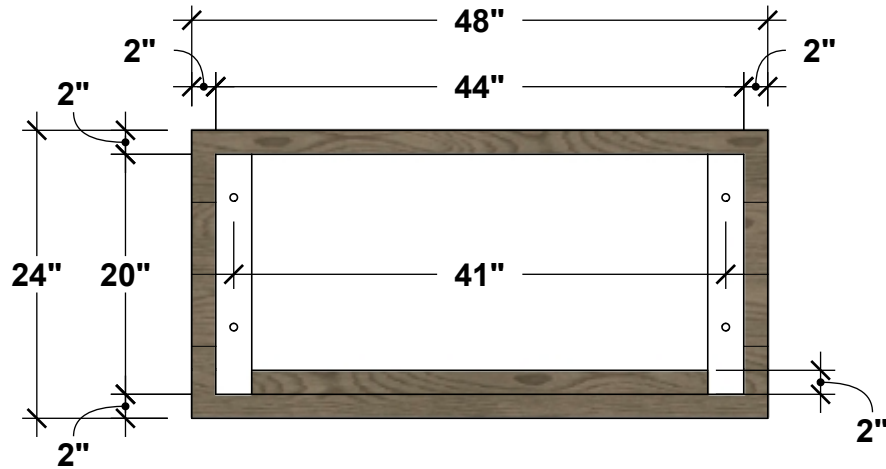
DETAIL VIEW



PERSPECTIVE VIEW



BACK VIEW



PLANTERS
UNLIMITED

A Carlsbad Manufacturing Company

1 (888) 320-0626

www.plantersunlimited.com

GENERAL NOTES

STANDARD DRAINAGE: YES NO

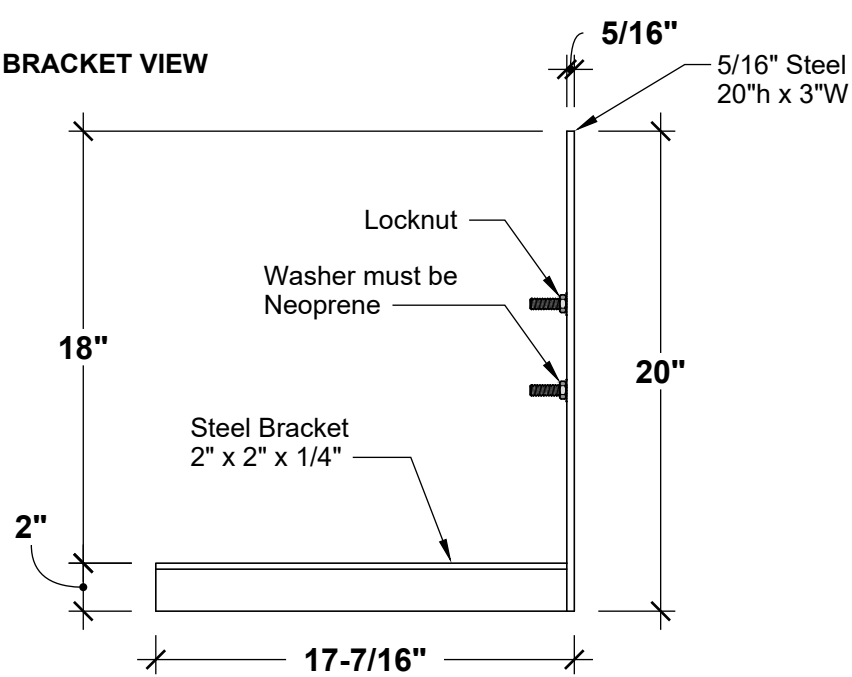
-Internal Stiffeners as Needed

PRODUCT DESCRIPTION				SKU				PREPARED FOR		APPROVAL SIGNATURE
Madera Faux Wood Hanging Planter				F1-HGM-REC481824-HP				N/A		
DIMENSIONS	MATERIAL	COLOR / FINISH	REP	DB	DATE	REV	ORDER #	PROJECT / SIDEMARK / IF#	APPROVAL DATE	
48" x 18" x 24"h	Fiberglass	TBD	Charlie C.	IG	04/27/2026	1		N/A		

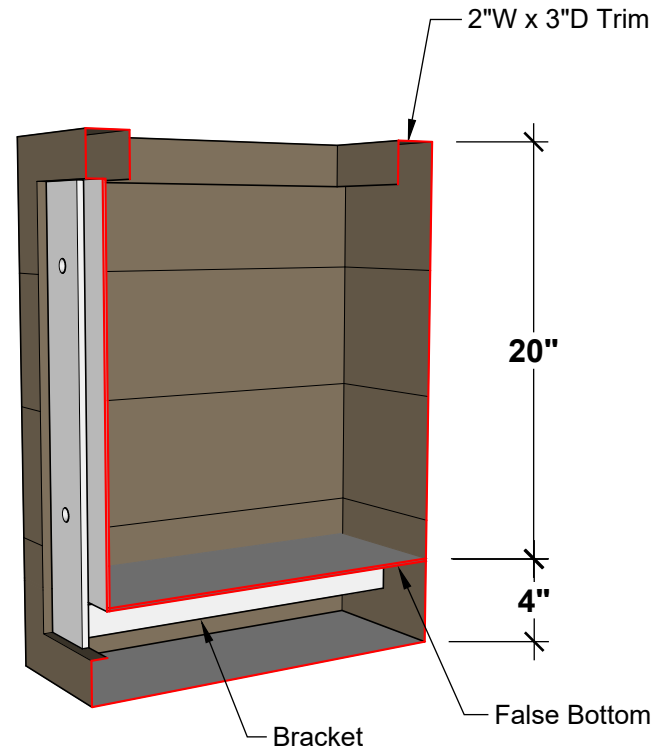
PLEASE NOTE: Due to the handmade nature of our products, individual measurements may vary from those listed. The provided dimensions are for reference only

All images are the intellectual property of Planters Unlimited. Reproduction in any form is strictly prohibitive without the express written permission of Planters Unlimited. All designs are property of Planters Unlimited.

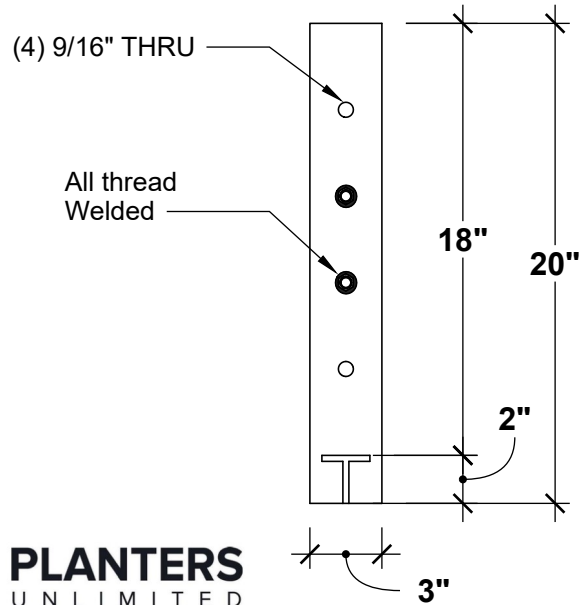
SIDE BRACKET VIEW



DETAIL SECTION



FRONT BRACKET VIEW



PLANTERS
UNLIMITED

A Carlsbad Manufacturing Company

1 (888) 320-0626

www.plantersunlimited.com

GENERAL NOTES

STANDARD DRAINAGE: YES NO

-Internal Stiffeners as Needed

PRODUCT DESCRIPTION				SKU				PREPARED FOR		APPROVAL SIGNATURE
Madera Faux Wood Hanging Planter				F1-HGM-REC481824-HP				N/A		
DIMENSIONS	MATERIAL	COLOR / FINISH	REP	DB	DATE	REV	ORDER #	PROJECT / SIDEMARK / IF#	APPROVAL DATE	
48" x 18" x 24"h	Fiberglass	TBD	Charlie C.	IG	04/27/2026	1		N/A		

PLEASE NOTE: Due to the handmade nature of our products, individual measurements may vary from those listed. The provided dimensions are for reference only

All images are the intellectual property of Planters Unlimited. Reproduction in any form is strictly prohibitive without the express written permission of Planters Unlimited. All designs are property of Planters Unlimited.