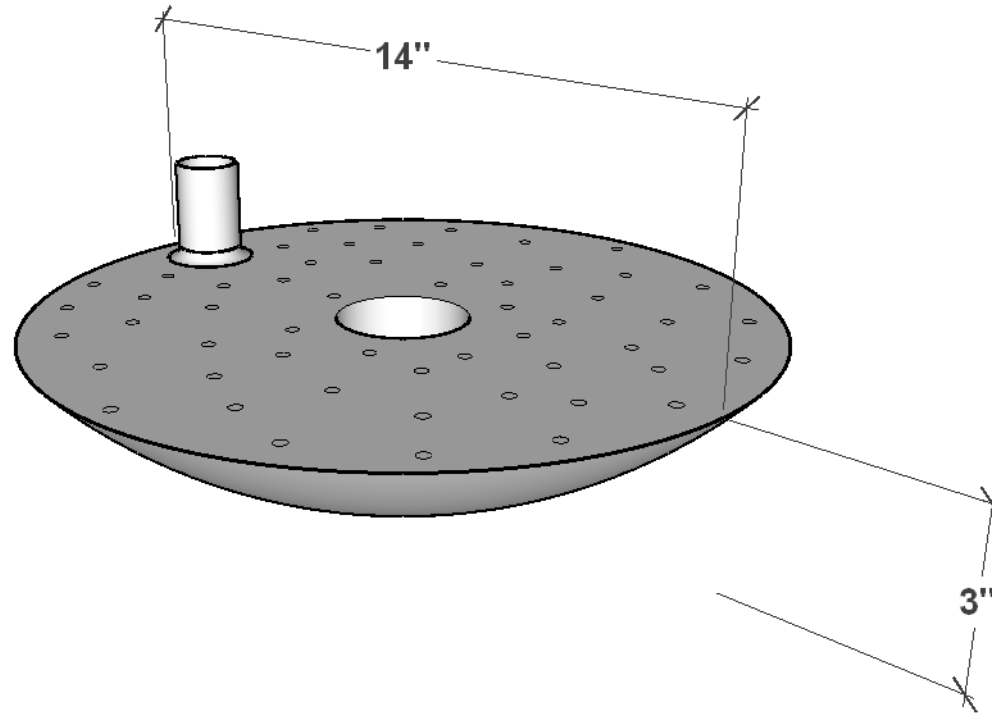


**PERSPECTIVE VIEW**



**PLANTERS**  
**UNLIMITED**  
 A CARLSBAD MANUFACTURING COMPANY

1 (888) 320-0626 | [PlantersUnlimited.com](http://PlantersUnlimited.com)

GENERAL NOTES	
STANDARD DRAINAGE: YES <input type="checkbox"/> NO <input type="checkbox"/>	

PRODUCT DESCRIPTION				SKU				PREPARED FOR		APPROVAL SIGNATURE
"Bow" Hanging Basket Water Reservoir				WW-100-HB-18				-		
DIMENSIONS	MATERIAL	COLOR / FINISH	REP	DB	DATE	REV	ORDER #	PROJECT / SIDEMARK / IF#		APPROVAL DATE
18"dia.	-	N/A	N/A	IG	09/20/2024	1	N/A			