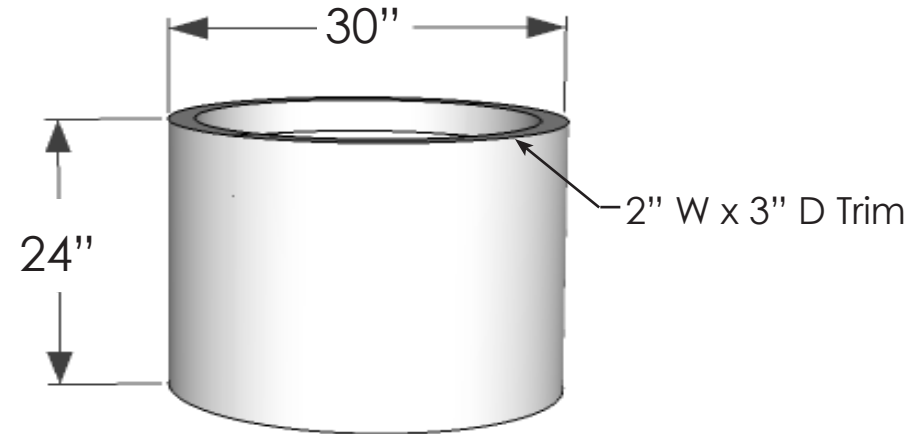
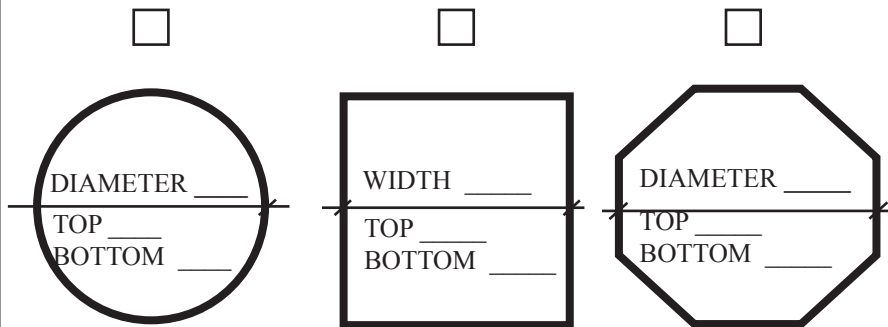


1. CHECK POST SHAPE

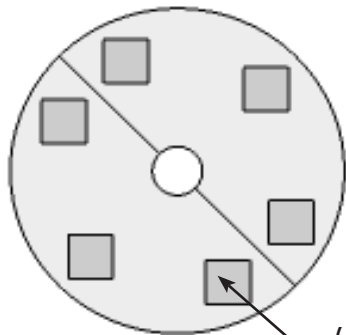
2 TAPERED POST? YES/ NO (Please Circle)



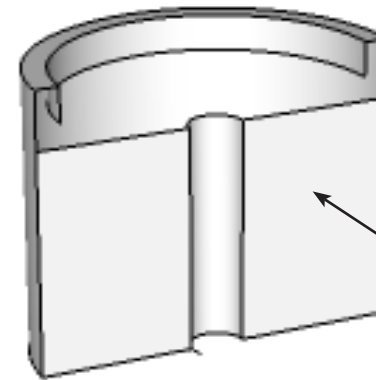
PERSPECTIVE VIEW

General Notes:

1. Locate drainage holes next to pads
  2. If no drain holes are requested it is assumed proper drainage will be added in the field
- Drainage: Yes\_\_\_ No\_\_\_



BOTTOM VIEW



HALF PLANTER VIEW

Date:  
Scale: NTS  
DB: GGG  
CB:  
Rep:  
Order#:

Content: Modern Round Fiberglass Post Planter  
PN: F1-POS-R3024  
Color/Finish:  
Customer Approval:

Design by Planters Unlimited  
All visual representations and designs are the intellectual property of Planters Unlimited and protected under copyright law. Any duplication of this design is in direct violation of the law and will result in legal action.  
© Copyright 2008-2016

**PLANTERS  
UNLIMITED**  
T:888-320-0626 F:760-598-9888