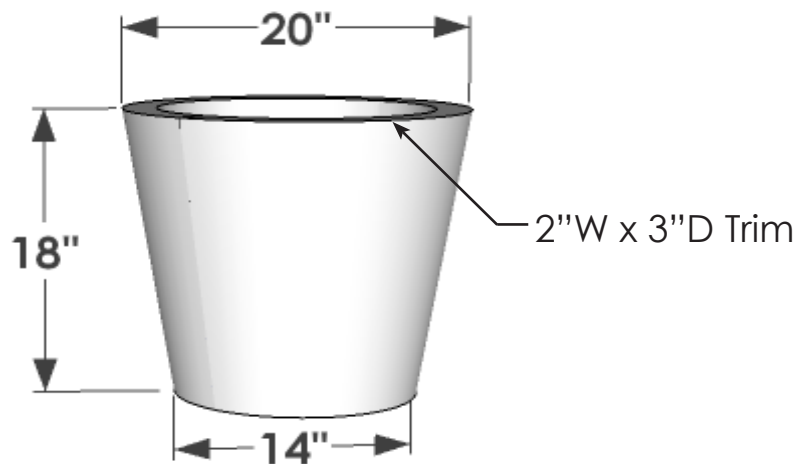
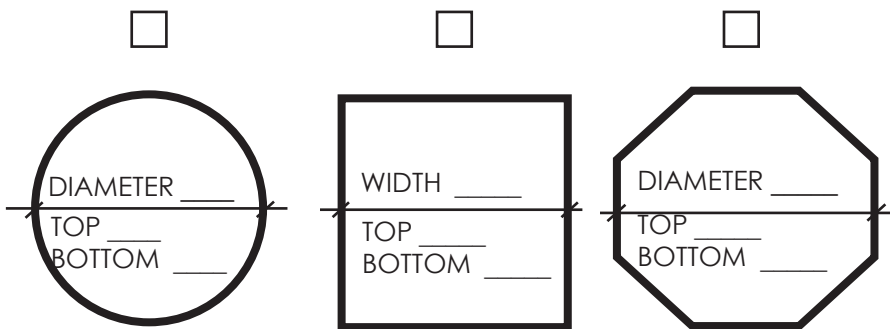


1. CHECK POST SHAPE

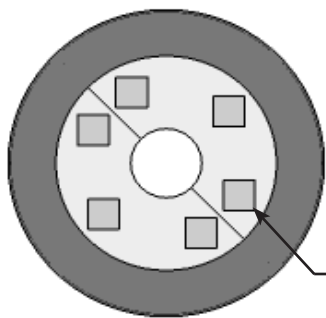
2. TAPERED POST? YES / NO (Please Circle)



PERSPECTIVE VIEW

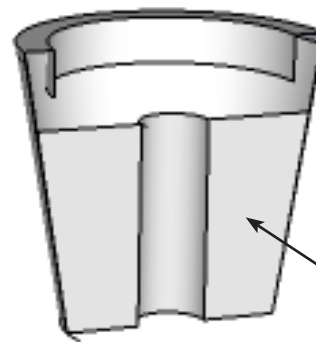
General Note:

If no drain holes are requested it is assumed proper drainage will be added in the field



(6) Pads, 3"x
3"x1/8"thk. Offset 1"

BOTTOM VIEW



Made in two pieces to be assembled on site. Bolt through Center Dividers to attach

HALF PLANTER VIEW

Date:
Scale: NTS
DB: RMA
CB:
Rep:
Order#:

Content: Contempo Round Fiberglass Post Planters
PN: F1-POS-TR2018
Color/Finish:
Customer Approval:

Design by Planters Unlimited
All visual representations and designs are the intellectual property of Planters Unlimited and protected under copyright law. Any duplication of this design is in direct violation of the law and will result in legal action.
© Copyright 2008-2016



T:888-320-0626

F:760-598-9888