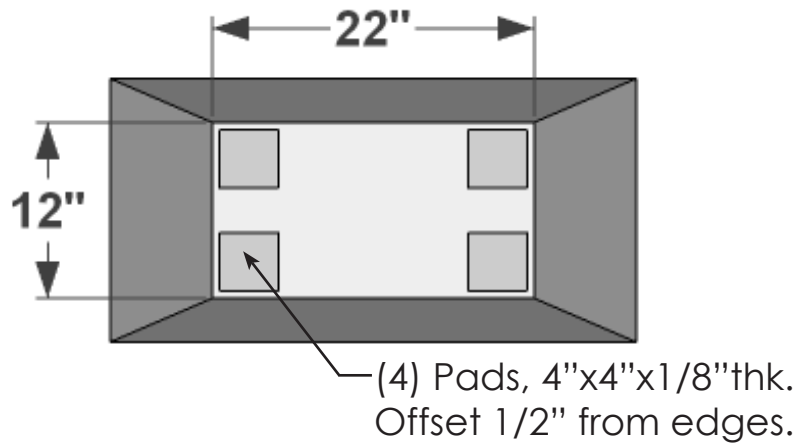


PERSPECTIVE VIEW



BOTTOM VIEW

General Notes:

1. 1"x1" PVC supports along interior seams

Date:
Scale: NTS
DB: GGG
CB:
Rep:
Order#:

Content: Urban Chic Tapered Composite Planters
PN: A2-P450-TREC361824
Color/Finish:
Customer Approval:

Design by Planters Unlimited
All visual representations and designs
are the intellectual property of Planters
Unlimited and protected under copyright
law. Any duplication of this design is in
direct violation of the law and will result
in legal action.
© Copyright 2008-2016



**PLANTERS
UNLIMITED**
T:888-320-0626 F:760-598-9888