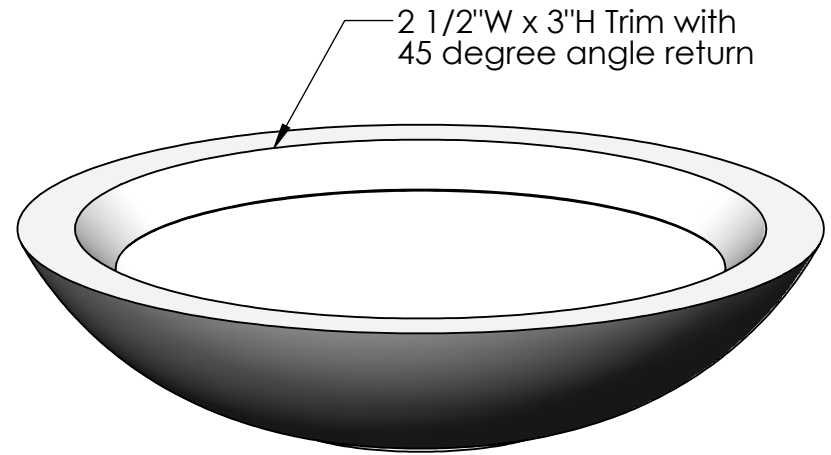


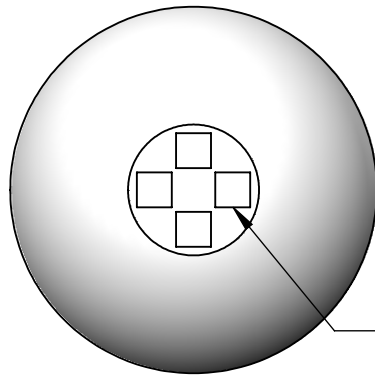
ELEVATION VIEW



PERSPECTIVE VIEW

NOTES:

1. Locate drainage holes next to pads
 2. If no drain holes are requested it is assumed proper drainage will be added in the field
- Drainage: Yes___ No___



(4) Pads, 4" x 4" x 1/8" thk.
Offset 1/2" from edges

BOTTOM VIEW

Date:
Scale: NTS
DB: JL
CB:
Rep:
Order #:

Content: Modern Low Bowl Fiberglass Planter
PN: F1-MOD-LB4210
Color/Finish:
Customer Approval: _____

Design by Planters Unlimited. All visual representations and designs are the intellectual property of Planters Unlimited and protected under copyright law. Any duplication of this design is in direct violation of the law and will result in legal action.
© Copyright 2008-2016



PLANTERS
UNLIMITED
T: 888-320-0626 F: 760-598-9888