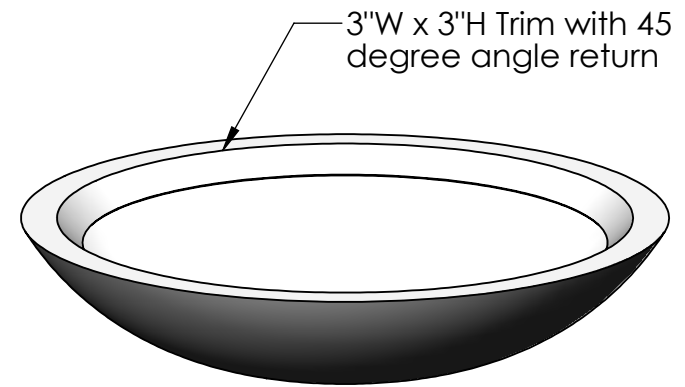


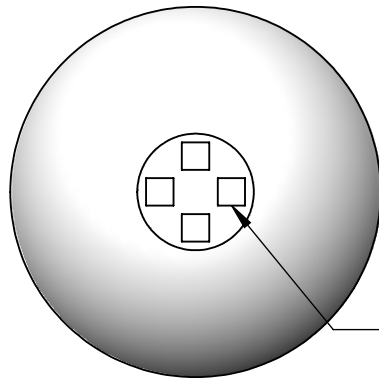
ELEVATION VIEW



PERSPECTIVE VIEW

NOTES:

1. Locate drainage holes next to pads
  2. If no drain holes are requested it is assumed proper drainage will be added in the field
- Drainage: Yes\_\_\_ No\_\_\_



(4) Pads, 4" x 4" x 1/8"thk.  
Offset 1" from edges

BOTTOM VIEW

Date:  
Scale: NTS  
DB: JL  
CB:  
Rep:  
Order #:

Content: Modern Low Bowl Fiberglass Planter  
PN: F1-MOD-LB5412  
Color/Finish:  
Customer Approval: \_\_\_\_\_

Design by Planters Unlimited. All visual representations and designs are the intellectual property of Planters Unlimited and protected under copyright law. Any duplication of this design is in direct violation of the law and will result in legal action.  
© Copyright 2008-2016



**PLANTERS**  
UNLIMITED  
T: 888-320-0626 F: 760-598-9888