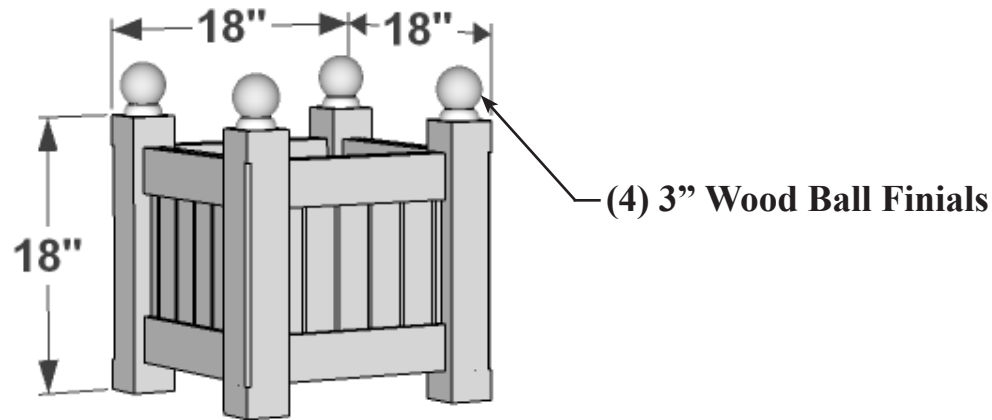
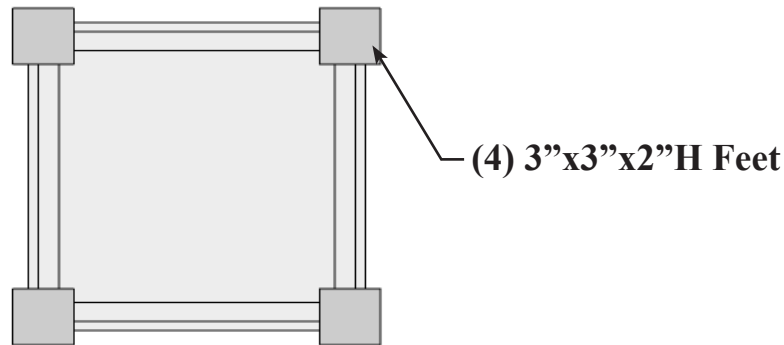


General Notes:

- 1. 1"x1" PVC supports along interior seams



PERSPECTIVE VIEW



BOTTOM VIEW

Date:
Scale: NTS
DB: RMA
CB:
Rep:
Order#:

Content: Versaille Square Composite Planter
PN: A2-P900-1818 (A2-P900-1818-NF, RT-FGB-3-LG)
Color/Finish:
Customer Approval: _____

Design by Planters Unlimited
All visual representations and designs are the intellectual property of Planters Unlimited and protected under copyright law. Any duplication of this design is in direct violation of the law and will result in legal action. © Copyright 2008-2014

 **PLANTERS UNLIMITED**
By Hooks & Lattice • www.PlantersUnlimited.com
T:888-320-0626 F:760-598-9888