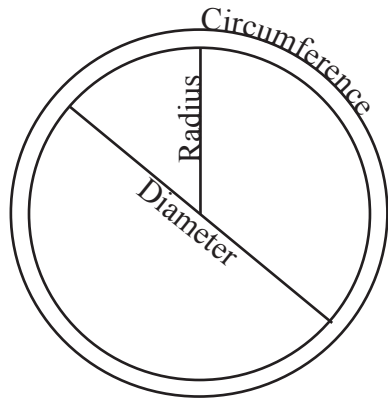
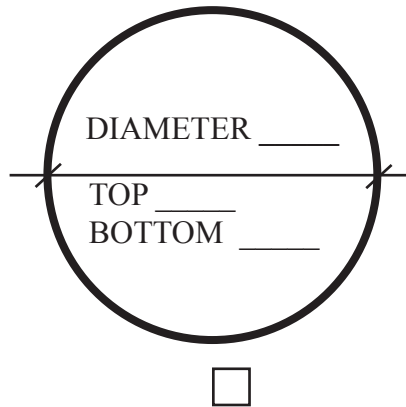


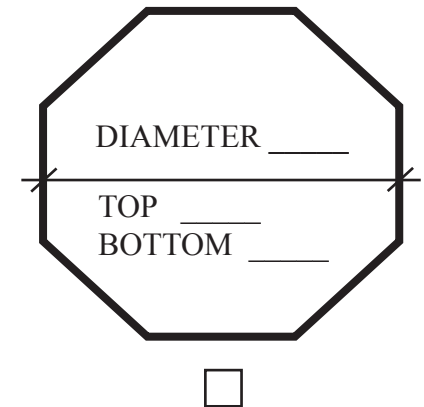
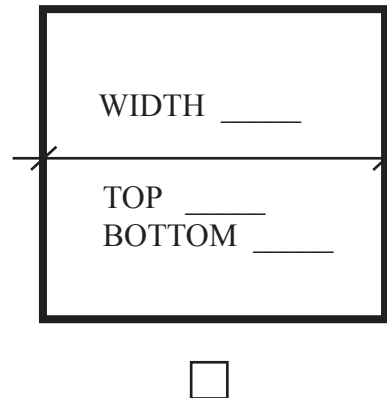
Circumference is measured around the edge of the Post



CHECK POST SHAPE



TAPERED POST? YES / NO (Please Circle)

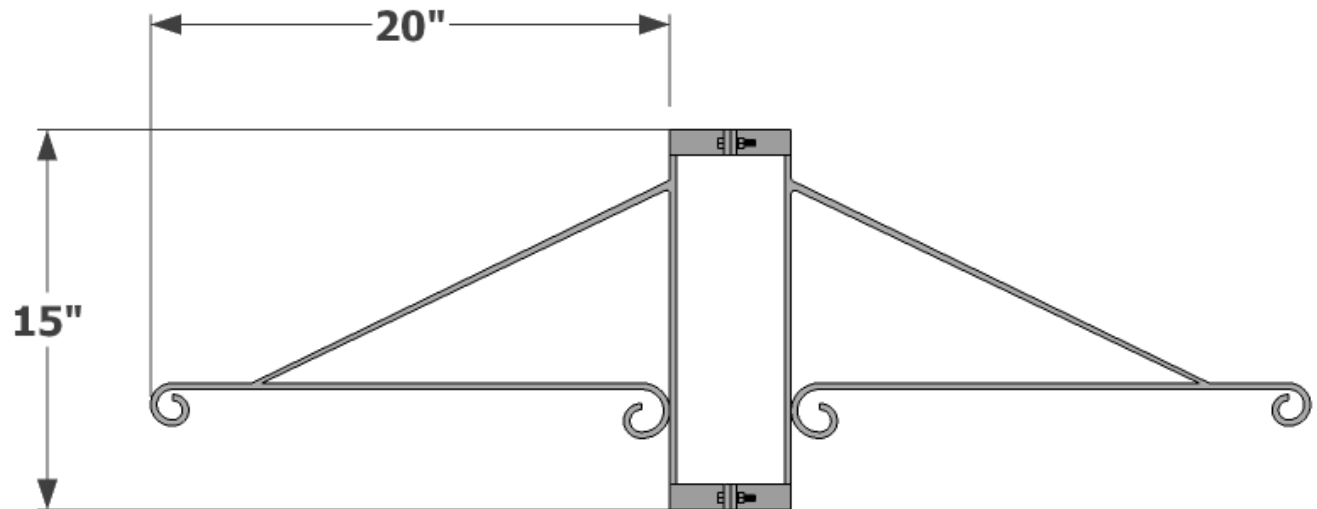
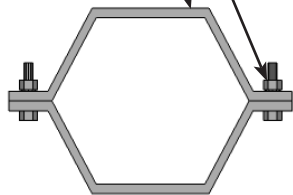


If your post is a different shape than shown on this drawing please note the shape and diameter here:

---

Bracket Clamps may differ in shape than your post. They are designed to use tension to stay in place

**3/8" Dia Holes**  
**1"W x 1/4" Thk Flat Bar**



PLEASE MEASURE AT THE HEIGHT/LOCATION THE BRACKET WILL BE MOUNTED ON POST

Date:  
Scale: NTS  
DB: JL  
CB:  
Rep:  
Order#:

Content: Two-Way Scroll Arm Pole Mount Bracket  
PN:  
Color/Finish: Black Powder Coat  
Customer Approval: \_\_\_\_\_

Design by Planters Unlimited  
All visual representations and designs are the intellectual property of Planters Unlimited and protected under copyright law. Any duplication of this design is in direct violation of the law and will result in legal action. © Copyright 2008-2014

 **PLANTERS UNLIMITED**  
By Hooks & Lattice • www.PlantersUnlimited.com  
T:888-320-0626 F:760-598-9888