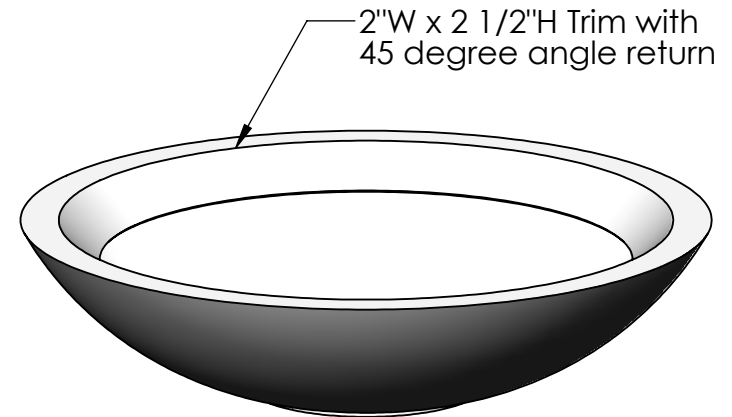


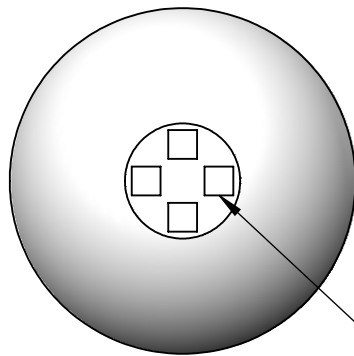
ELEVATION VIEW



PERSPECTIVE VIEW

NOTES:

1. Locate drainage holes next to pads
 2. If no drain holes are requested it is assumed proper drainage will be added in the field
- Drainage: Yes___ No___



BOTTOM VIEW

(4) Pads, 3" x 3" x 1/8" thk.
Offset 1/2" from edges

Date: 11/2016
Scale: NTS
DB: JL
CB:
Rep: CV
Order #:

Content: Modern Low Bowl Fiberglass Planter
PN: F1-MOD-LB3609
Color/Finish: Pearl Sand
Customer Approval: _____

Design by Planters Unlimited. All visual representations and designs are the intellectual property of Planters Unlimited and protected under copyright law. Any duplication of this design is in direct violation of the law and will result in legal action.
© Copyright 2008-2016



PLANTERS
UNLIMITED
T: 888-320-0626 F: 760-598-9888