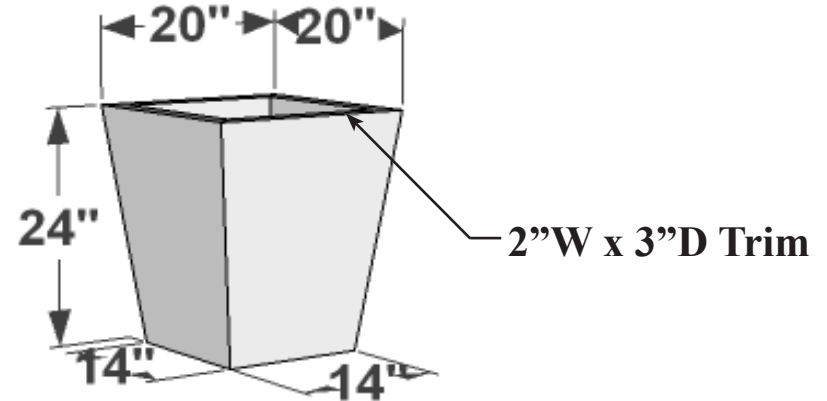
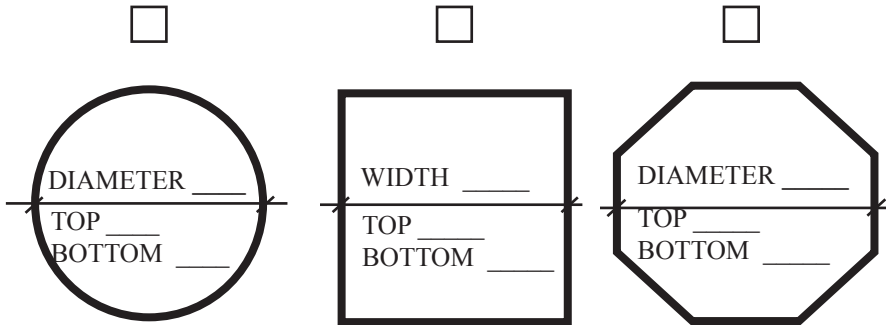


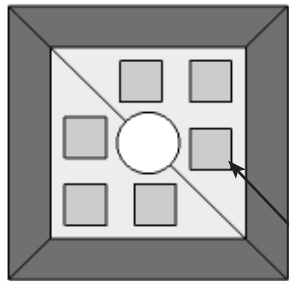
**1. CHECK POST SHAPE**

**2. TAPERED POST? YES / NO (Please Circle)**



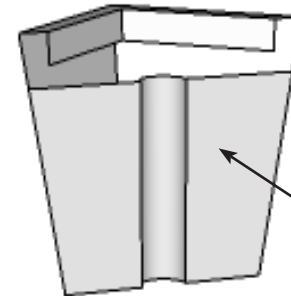
**General Note: If no drain holes are requested it is assumed proper drainage will be added in the field**

PERSPECTIVE VIEW



**(6) Pads, 4" x 4" x 1/8" thk.  
Offset 1" from edges**

BOTTOM VIEW



**Made in two pieces to be assembled on site. Bolt through Center Dividers to attach**

HALF PLANTER VIEW

Date:  
Scale: NTS  
DB: RMA  
CB:  
Rep:  
Order#:

Content: Modern Post Tapered Square Fiberglass Planters  
PN: F1-POS-TS2024  
Color/Finish:  
Customer Approval: \_\_\_\_\_

Design by Planters Unlimited  
All visual representations and designs are the intellectual property of Planters Unlimited and protected under copyright law. Any duplication of this design is in direct violation of the law and will result in legal action. © Copyright 2008-2014

**PLANTERS UNLIMITED**  
By Hooks & Lattice • www.PlantersUnlimited.com  
T:888-320-0626 F:760-598-9888