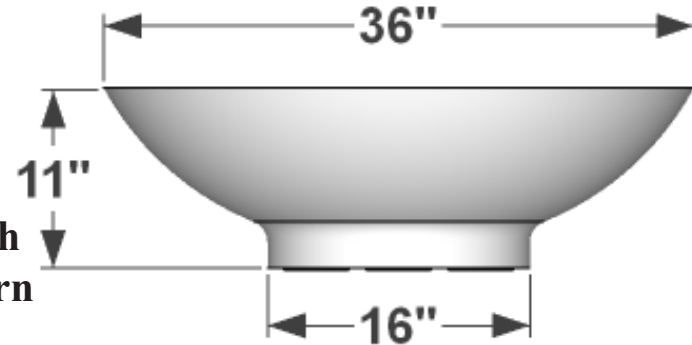


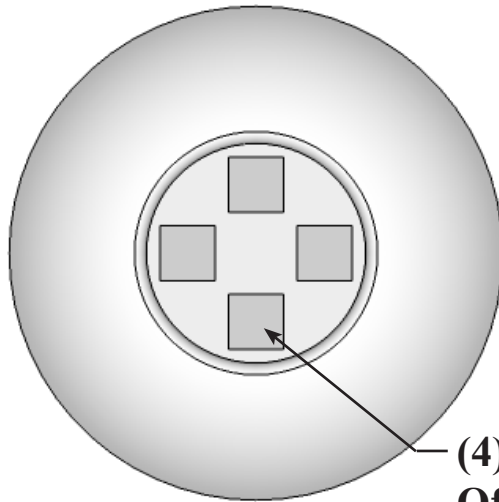


2"W x 3"H Trim with  
45 degree angle return  
2"H Base, corners  
are rounded



PERSPECTIVE VIEW

ELEVATION VIEW



(4) Pads, 4"x4"x1/8"thk.  
Offset 1" from edges.

BOTTOM VIEW

**General Note: If no drain holes are requested it is assumed proper drainage will be added in the field**

Date:  
Scale: NTS  
DB: GGG  
CB:  
Rep:  
Order#:

Content: Luna Low Bowl Fiberglass Planter  
PN: F1-LUN-R3611  
Color/Finish:  
Customer Approval: \_\_\_\_\_

Design by Planters Unlimited  
All visual representations and designs are the intellectual property of Planters Unlimited and protected under copyright law. Any duplication of this design is in direct violation of the law and will result in legal action. © Copyright 2008-2015

 **PLANTERS UNLIMITED**  
By Hooks & Lattice • www.PlantersUnlimited.com  
T:888-320-0626 F:760-598-9888