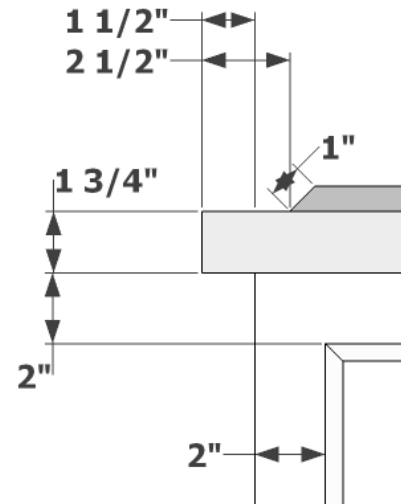


Wood pads glassed-in for mounting Gas-Shocks

Planter to have 1"x1" Top Trim

PERSPECTIVE VIEW

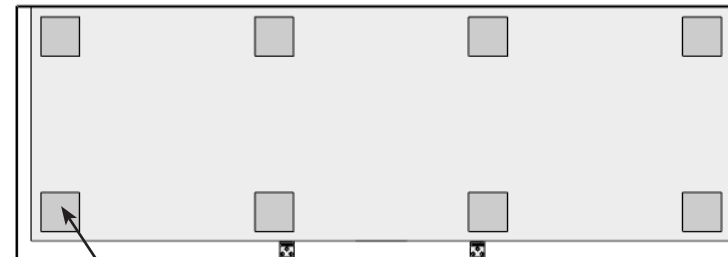


TRIM AND FRAME DETAIL



1.5"H False bottom on interior of dock box

ELEVATION VIEW



(8) Pads, 4"x4"x1/8"thk.  
Offset 1" from edges

BOTTOM PERSPECTIVE

Date:  
Scale: NTS  
DB: GGG  
CB:  
Rep:  
Order#:

Content: Ashville Fiberglass Dock Box  
PN: F1-DB-REC722418-ASH  
Color/Finish: Tan/SemiGloss  
Customer Approval: \_\_\_\_\_

Design by Planters Unlimited  
All visual representations and designs are the intellectual property of Planters Unlimited and protected under copyright law. Any duplication of this design is in direct violation of the law and will result in legal action. © Copyright 2008-2015

**PLANTERS UNLIMITED**  
By Hooks & Lattice • www.PlantersUnlimited.com  
T:888-320-0626 F:760-598-9888

## General Notes

1. Includes piano hinge and gas shocks for lid closure support.

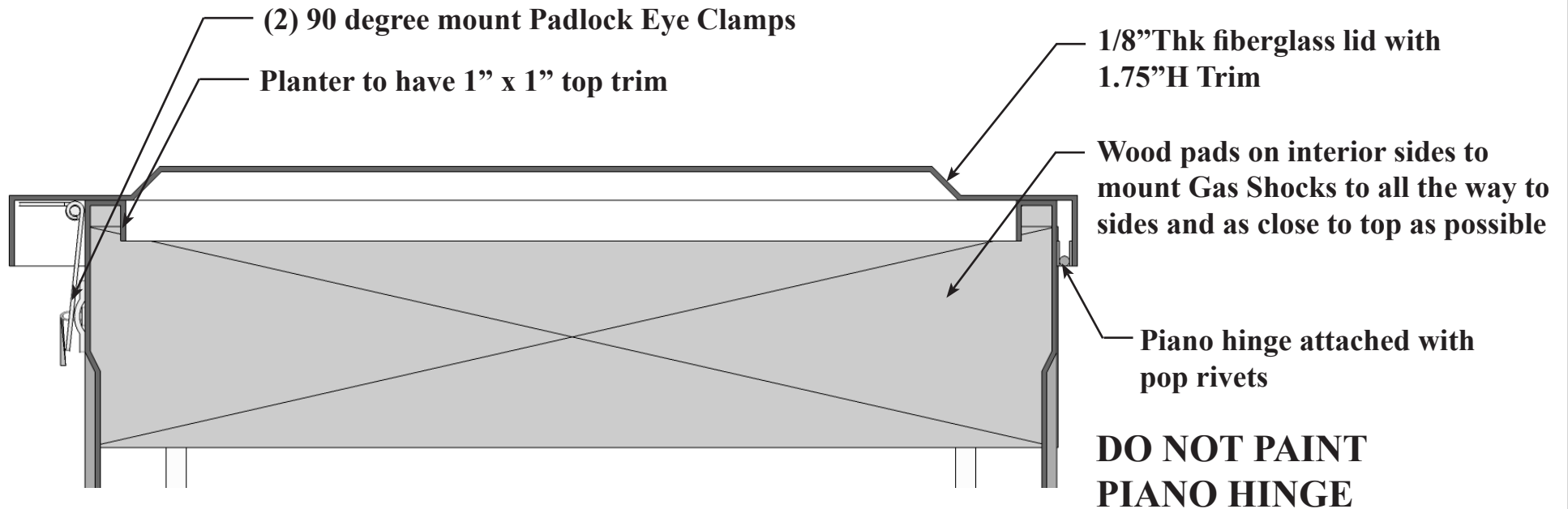
### Accessory Part Numbers:

Gas Shocks

Piano hinge, A20-SS-72H

Lock and Key

2. Apply gray primer to interior for a clean and smooth surface and paint to match exterior.
3. Use pop rivets for all connections.
4. Glass-in Gas Shock mounting hardware to underside of lid and side wood pads



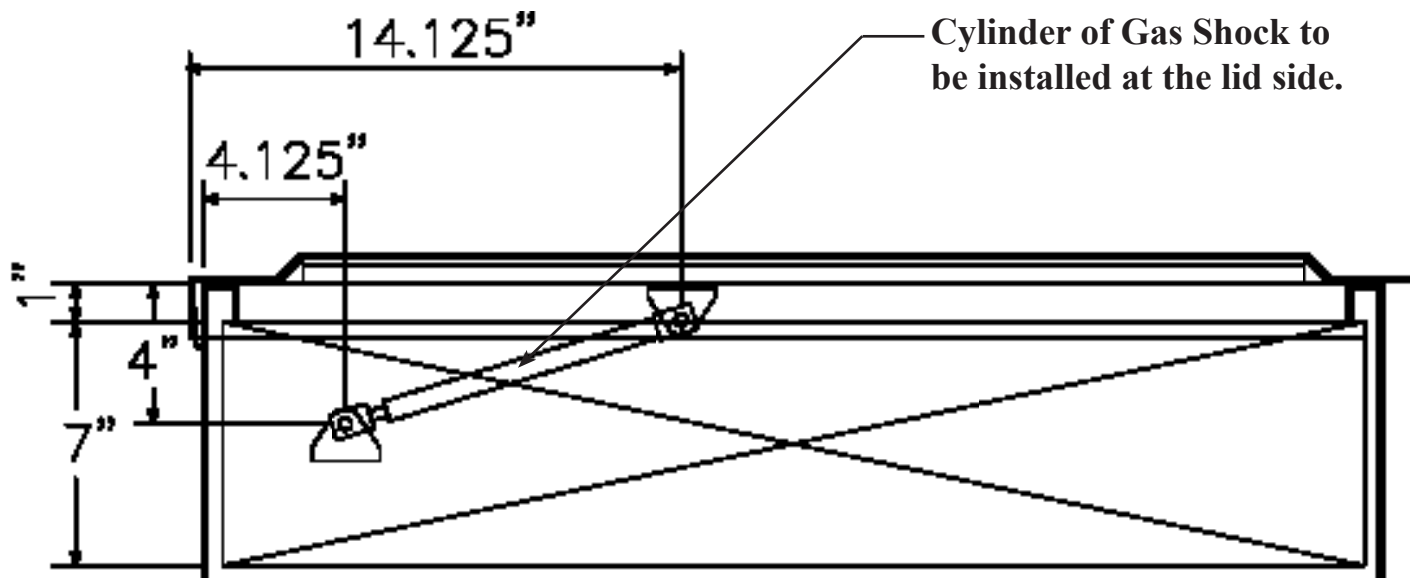
SECTION VIEW

Date:  
Scale: NTS  
DB: GGG  
CB:  
Rep:  
Order#:

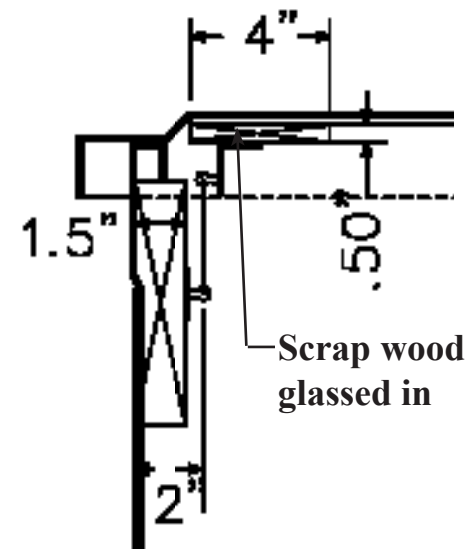
Content: Ashville Fiberglass Dock Box  
PN: F1-DB-REC722418-ASH  
Color/Finish: Tan/SemiGloss  
Customer Approval: \_\_\_\_\_

Design by Planters Unlimited  
All visual representations and designs are the intellectual property of Planters Unlimited and protected under copyright law. Any duplication of this design is in direct violation of the law and will result in legal action. © Copyright 2008-2015

 **PLANTERS UNLIMITED**  
By Hooks & Lattice • www.PlantersUnlimited.com  
T:888-320-0626 F:760-598-9888



Cylinder of Gas Shock to be installed at the lid side.



SECTION THROUGH WIDTH

SECTION THROUGH LENGTH

Date:  
Scale: NTS  
DB: GGG  
CB:  
Rep:  
Order#:

Content: Ashville Fiberglass Dock Box  
PN: F1-DB-REC722418-ASH  
Color/Finish: Tan/SemiGloss  
Customer Approval: \_\_\_\_\_

Design by Planters Unlimited  
All visual representations and designs are the intellectual property of Planters Unlimited and protected under copyright law. Any duplication of this design is in direct violation of the law and will result in legal action. © Copyright 2008-2015



**PLANTERS  
UNLIMITED**

By Hooks & Lattice • www.PlantersUnlimited.com

T:888-320-0626

F:760-598-9888