

1.5"H False bottom on interior of dock box

Date:
Scale: NTS
DB: GGG
CB:
Rep:
Order#:

Content: Ashville Fiberglass Dock Box
PN: F1-DB-REC723636-ASH
Color/Finish: Tan/SemiGloss
Customer Approval: _____

Design by Planters Unlimited
All visual representations and designs are the intellectual property of Planters Unlimited and protected under copyright law. Any duplication of this design is in direct violation of the law and will result in legal action. © Copyright 2008-2015

 **PLANTERS UNLIMITED**
By Hooks & Lattice • www.PlantersUnlimited.com
T:888-320-0626 F:760-598-9888

General Notes

1. Includes piano hinge and gas shocks for lid closure support.

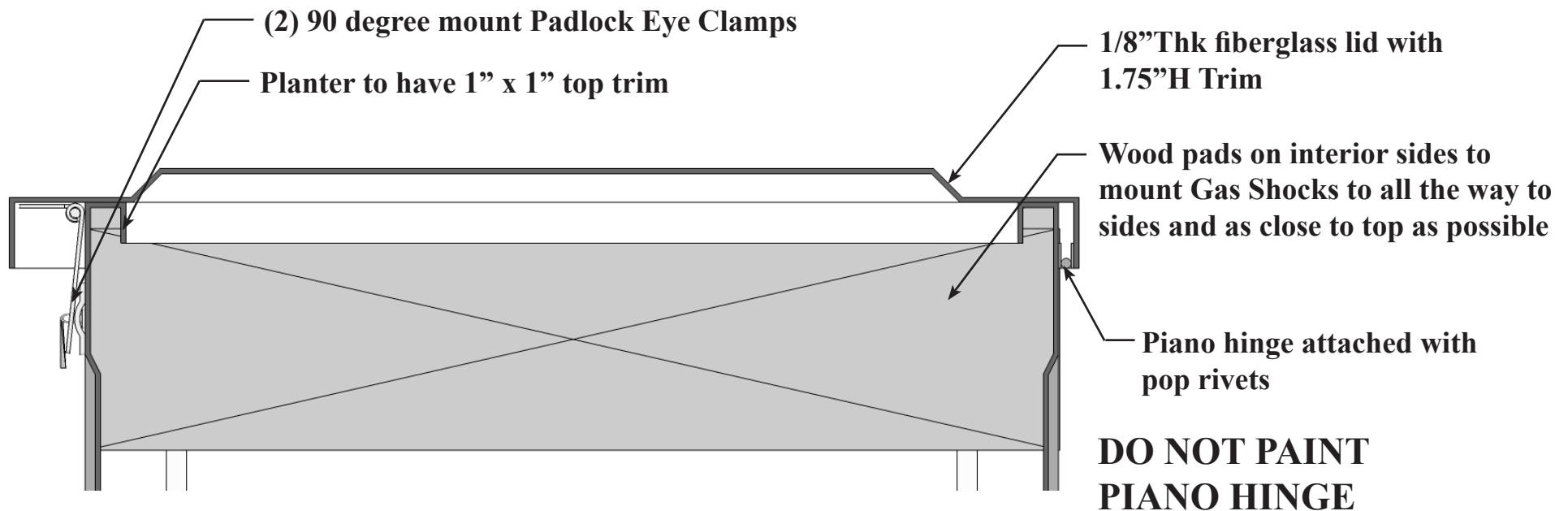
Accessory Part Numbers:

Gas Shocks

Piano hinge, A20-SS-72H

Lock and Key

2. Apply gray primer to interior for a clean and smooth surface and paint to match exterior.
3. Use pop rivets for all connections.
4. Glass-in Gas Shock mounting hardware to underside of lid and side wood pads



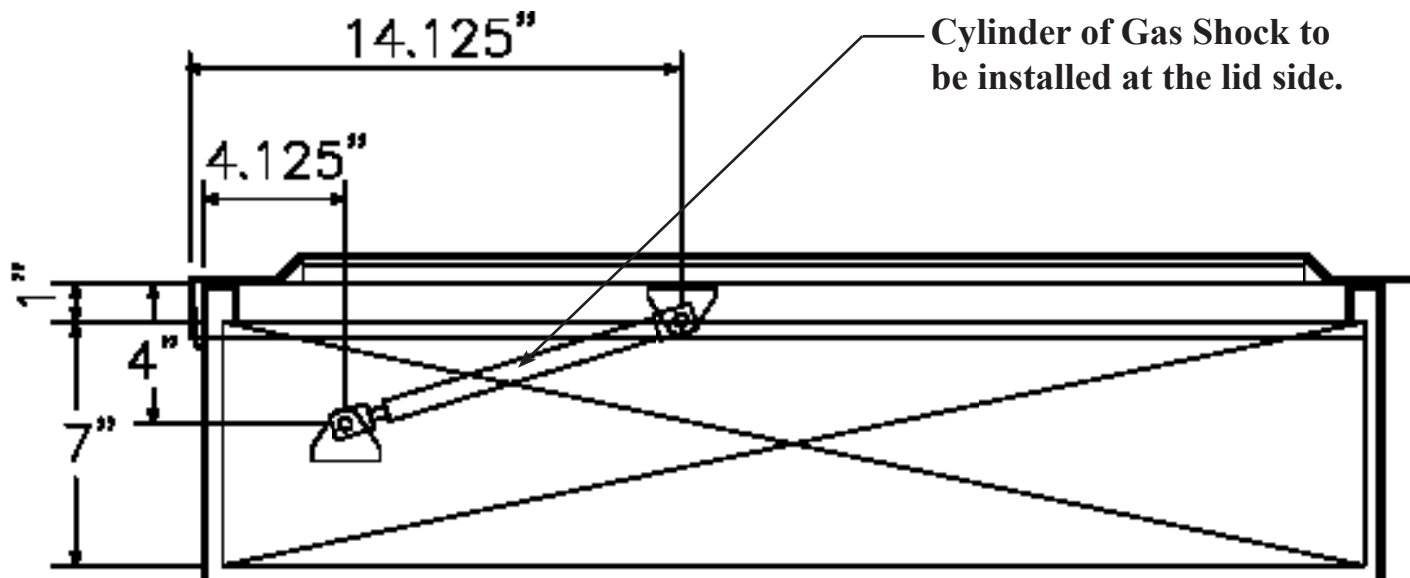
SECTION VIEW

Date:
Scale: NTS
DB: GGG
CB:
Rep:
Order#:

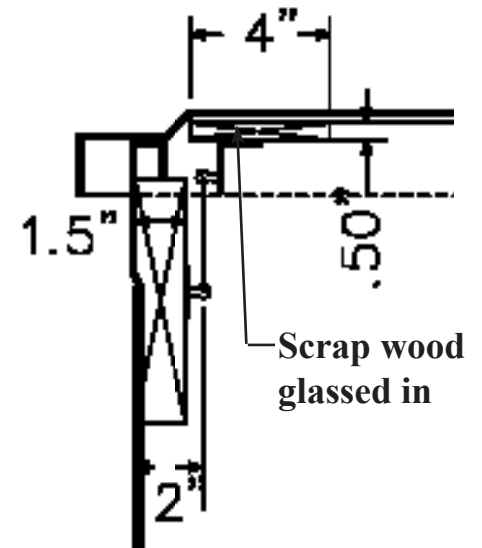
Content: Asheville Fiberglass Dock Box
PN: F1-DB-REC723636-ASH
Color/Finish: Tan/SemiGloss
Customer Approval: _____

Design by Planters Unlimited
All visual representations and designs are the intellectual property of Planters Unlimited and protected under copyright law. Any duplication of this design is in direct violation of the law and will result in legal action. © Copyright 2008-2015

 **PLANTERS UNLIMITED**
By Hooks & Lattice • www.PlantersUnlimited.com
T:888-320-0626 F:760-598-9888



SECTION THROUGH WIDTH



SECTION THROUGH LENGTH

Date:
 Scale: NTS
 DB: GGG
 CB:
 Rep:
 Order#:

Content: Ashville Fiberglass Dock Box
 PN: F1-DB-REC723636-ASH
 Color/Finish: Tan/SemiGloss
 Customer Approval: _____

Design by Planters Unlimited
 All visual representations and designs are the intellectual property of Planters Unlimited and protected under copyright law. Any duplication of this design is in direct violation of the law and will result in legal action. © Copyright 2008-2015



PLANTERS UNLIMITED
 By Hooks & Lattice • www.PlantersUnlimited.com
 T:888-320-0626 F:760-598-9888