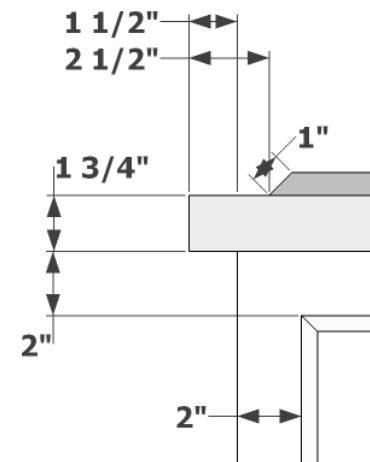
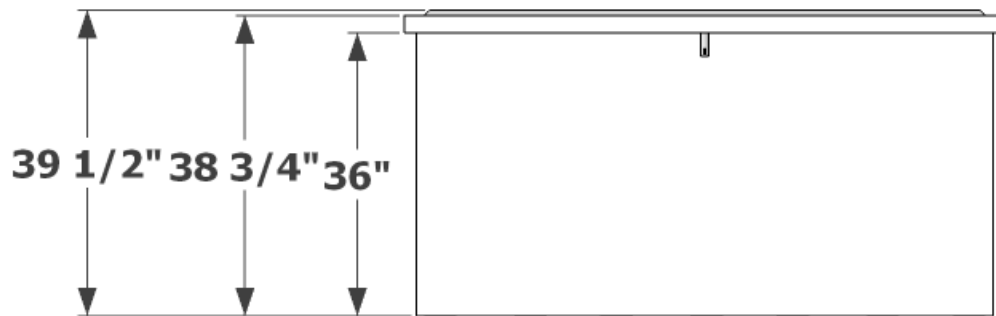


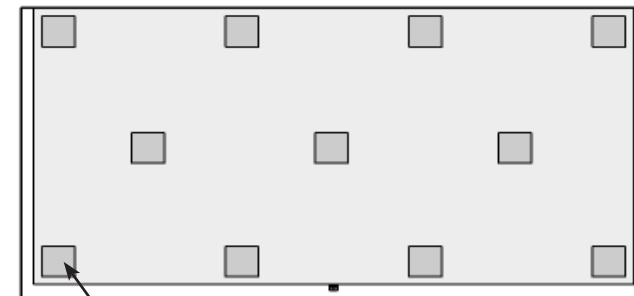
PERSPECTIVE VIEW



TRIM AND FRAME DETAIL



FRONT ELEVATION



(11) Pads, 4"x4"x1/8"thk.

BOTTOM PERSPECTIVE

Date:
Scale: NTS
DB: RMA
CB:
Rep:
Order#:

Content: Modern Fiberglass Dock Box

PN: F1-DB-REC723636

Color/Finish:

Customer Approval: _____

Design by Planters Unlimited
All visual representations and designs are the intellectual property of Planters Unlimited and protected under copyright law. Any duplication of this design is in direct violation of the law and will result in legal action. © Copyright 2008-2014



PLANTERS UNLIMITED

By Hooks & Lattice • www.PlantersUnlimited.com

T:888-320-0626

F:760-598-9888

General Notes

1. Includes piano hinge and gas shocks for lid closure support.

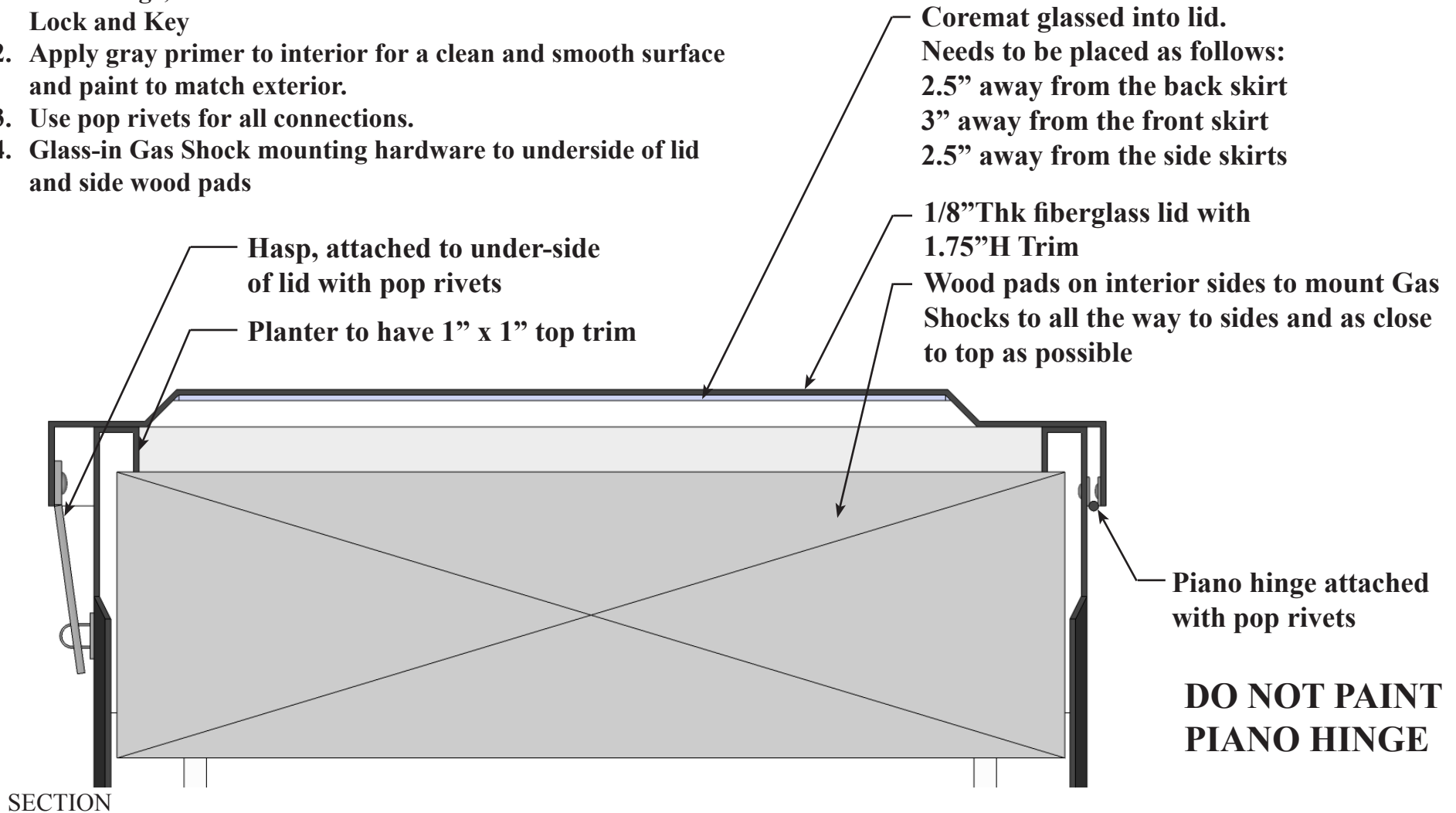
Accessory Part Numbers:

Gas Shocks

Piano hinge, A20-SS-72H

Lock and Key

2. Apply gray primer to interior for a clean and smooth surface and paint to match exterior.
3. Use pop rivets for all connections.
4. Glass-in Gas Shock mounting hardware to underside of lid and side wood pads



Date:
Scale: NTS
DB: RMA
CB:
Rep:
Order#:

Content: Modern Fiberglass Dock Box

PN: F1-DB-REC723636

Color/Finish:

Customer Approval: _____

Design by Planters Unlimited
All visual representations and designs are the intellectual property of Planters Unlimited and protected under copyright law. Any duplication of this design is in direct violation of the law and will result in legal action. © Copyright 2008-2014

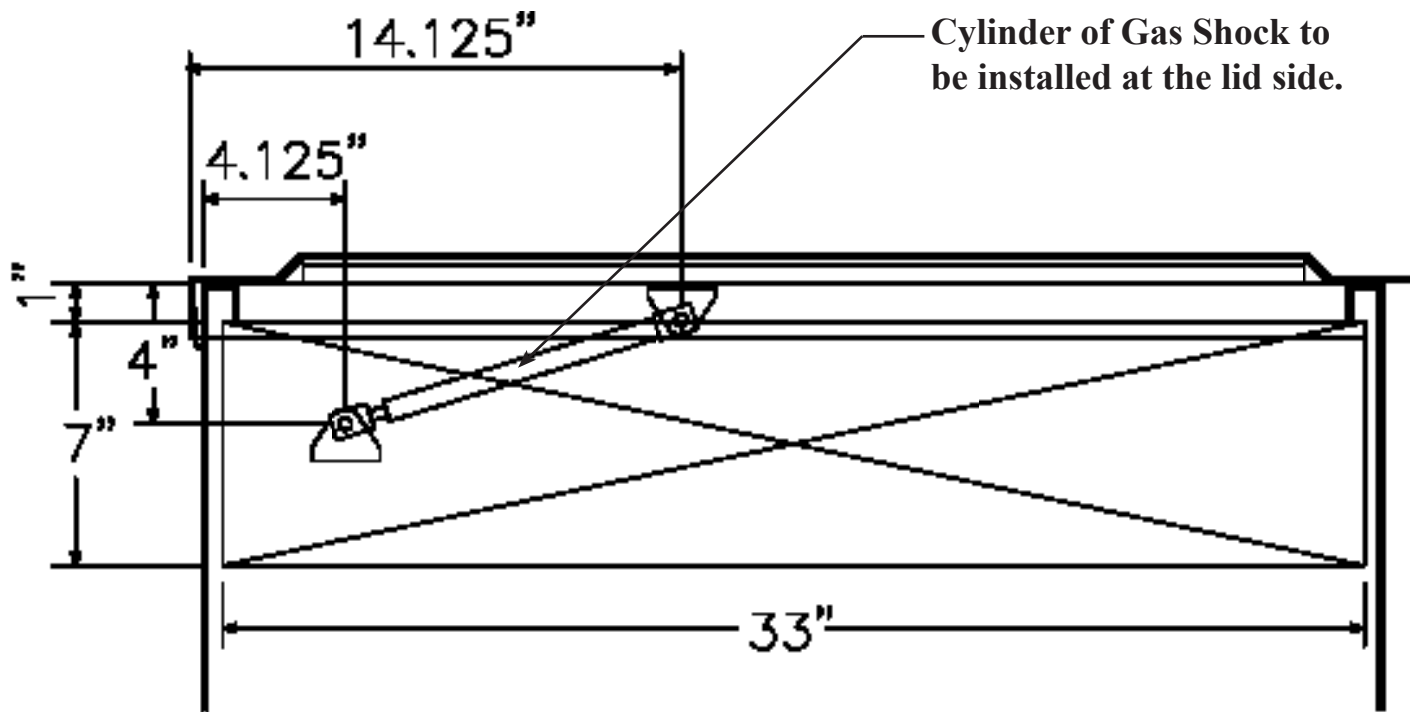


**PLANTERS
UNLIMITED**

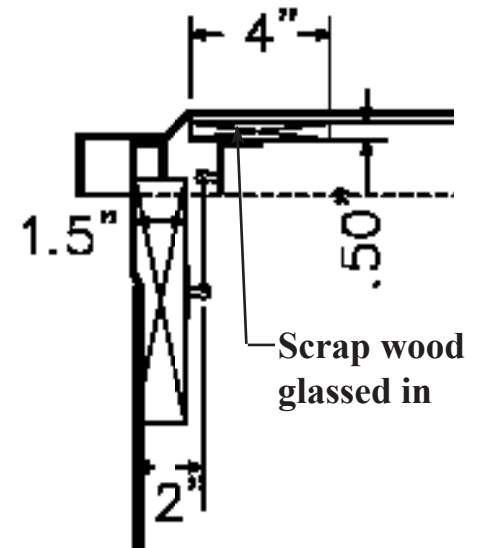
By Hooks & Lattice • www.PlantersUnlimited.com

T:888-320-0626

F:760-598-9888



SECTION THROUGH WIDTH



SECTION THROUGH LENGTH

Date:
Scale: NTS
DB: RMA
CB:
Rep:
Order#:

Content: Modern Fiberglass Dock Box

PN: F1-DB-REC723636

Color/Finish:

Customer Approval: _____

Design by Planters Unlimited
All visual representations and designs are the intellectual property of Planters Unlimited and protected under copyright law. Any duplication of this design is in direct violation of the law and will result in legal action. © Copyright 2008-2014



**PLANTERS
UNLIMITED**

By Hooks & Lattice • www.PlantersUnlimited.com

T:888-320-0626

F:760-598-9888