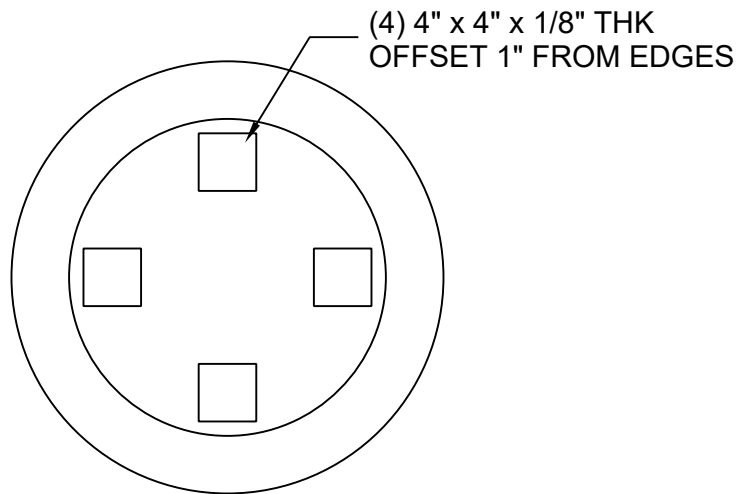
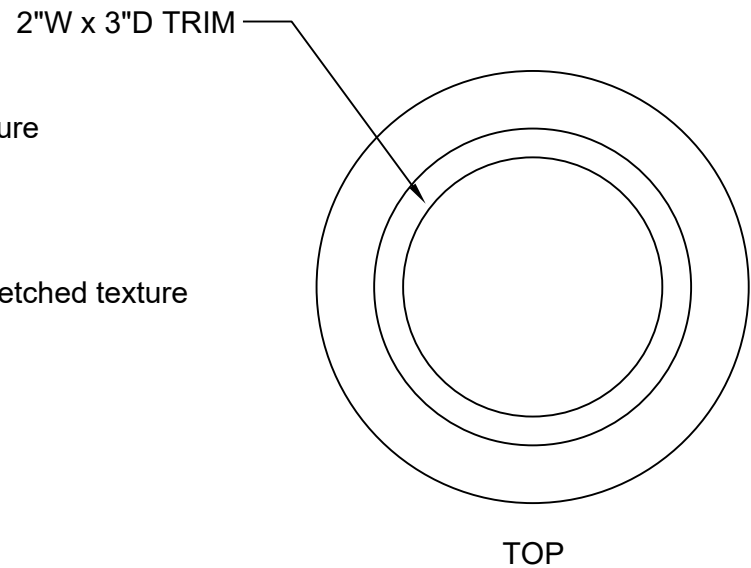


FRONT



GENERAL NOTES:

Locate drainage holes next to pads.

If no drain holes are requested it is assumed proper drainage will be added in the field

Drainage: Yes__ No__

Date: 10/2018
Scale: NTS
DB: JB
CB:
Rep: LD
Order:

Content: Volta Fiberstone Planter 30"W x 22"H
PN: C19-VOL-R3022-FS
Color/Finish: TBD
Customer Approval:

Designs by Planters Unlimited
All visual representations and designs are the intellectual property of Planters Unlimited and protected under copyright law. Any duplication of this design is in direct violation of the law and will result in legal action.
© Copyright 2008-2017



T: 888-320-0626 F: 760-598-9888