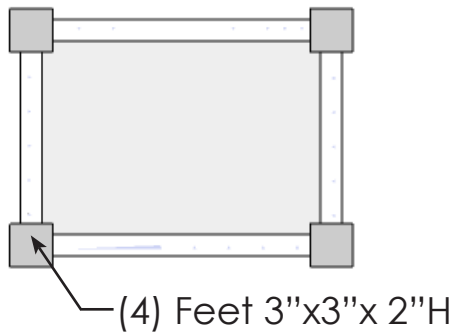


PERSPECTIVE VIEW



BOTTOM VIEW

General Notes:

1. 1"x1" PVC supports along interior seams
2. Paint feet to match planter color and finish

Date:
Scale: NTS
DB: RMA
CB:
Rep:
Order#:

Content: Versailles Composite Planter
PN: A2-P900-REC241824
Color/Finish:
Customer Approval:

Design by Planters Unlimited
All visual representations and designs are the intellectual property of Planters Unlimited and protected under copyright law. Any duplication of this design is in direct violation of the law and will result in legal action.
© Copyright 2008-2016



**PLANTERS
UNLIMITED**
T:888-320-0626 F:760-598-9888