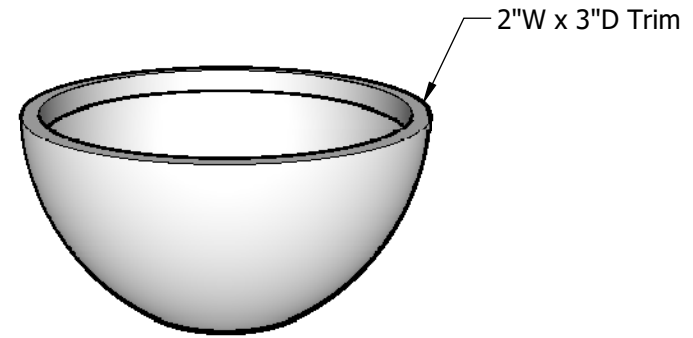
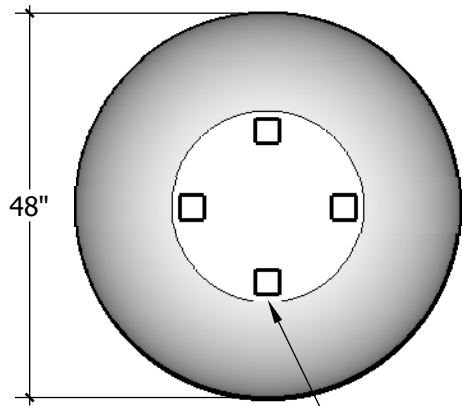


**ELEVATION VIEW**

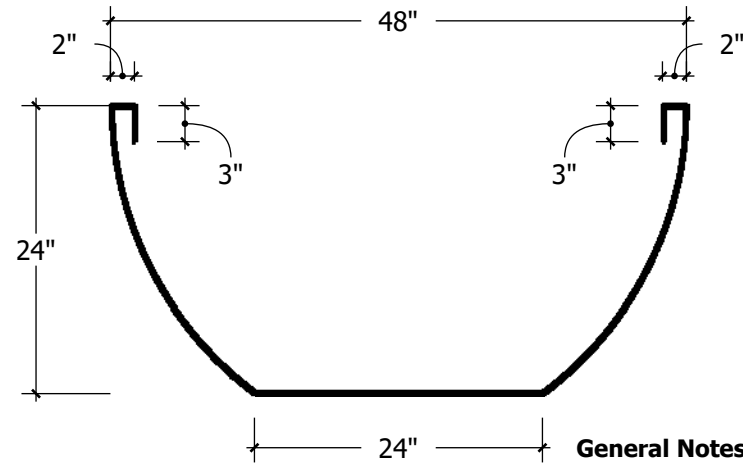


**PERSPECTIVE VIEW**



**BOTTOM VIEW**

(4) Pads, 3" x 3" x 1/8" thk  
Offset 1" from edges.



**ROCCA PROFILE**

**General Notes:**

1. Locate drainage holes next to Pads
  2. If no drain holes are requested it is assumed proper drainage will be added in the field.
- Drainage: Yes: \_\_\_ No: \_\_\_

Date: 08/2020  
Scale: NTS  
DB: IG  
Rep:  
Order#:

Content: Rocca Round Fiberglass Planter

PN: F1-MOD-R4824

Color/Finish:

Customer Approval: \_\_\_\_\_

Design by Planters Unlimited  
All visual representations and designs are the intellectual property of Planters Unlimited and are protected under Copyright law. Any duplication of this design is in direct violation of the law and will result in legal action.

© Copyright 2008-2014



**T:888-320-0626 F:760-598-9888**