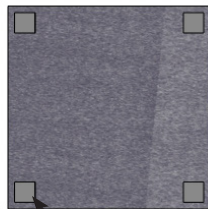
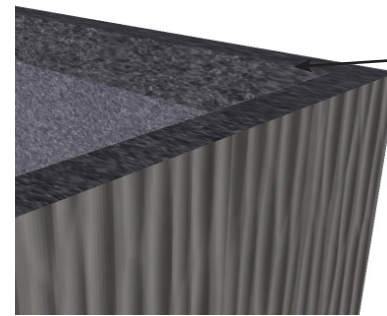


PERSPECTIVE VIEW

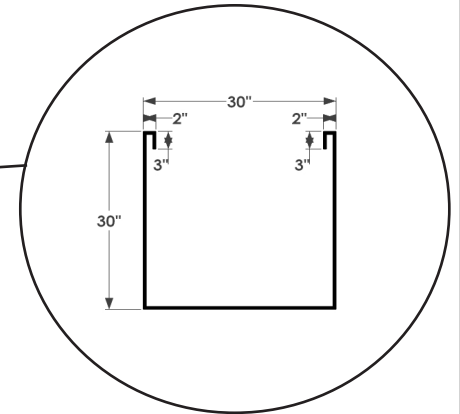


(4) Pads, 3"x3"x1/8"thk.  
Offset 1" from edges.

BOTTOM VIEW



TRIM PROFILE



General Notes:

1. Locate drainage holes next to pads.
  2. If no drain holes are requested it is assumed proper drainage will be added in the field
- Drainage: Yes\_\_\_ No\_\_\_

Date: 7/2020  
Scale: NTS  
DB: RMA  
CB:  
Rep:  
Order#:

Content: Dune Square Fiberstone Planter  
PN: CUS-C19-DUN-S3030-FS  
Color/Finish:  
Customer Approval:

Design by Planters Unlimited  
All visual representations and designs are the intellectual property of Planters Unlimited and protected under copyright law. Any duplication of this design is in direct violation of the law and will result in legal action.  
© Copyright 2008-2020



**PLANTERS  
UNLIMITED**  
T:888-320-0626 F:760-598-9888