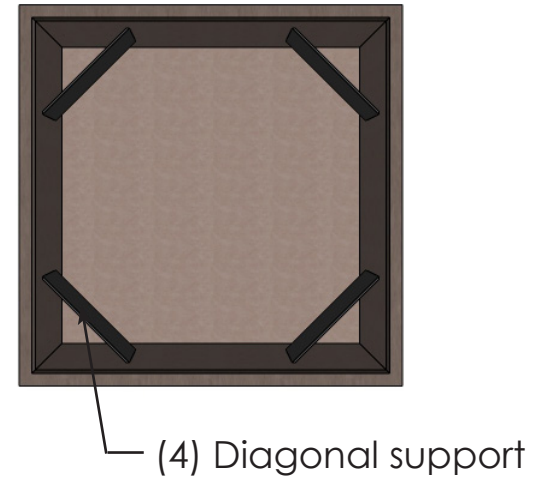
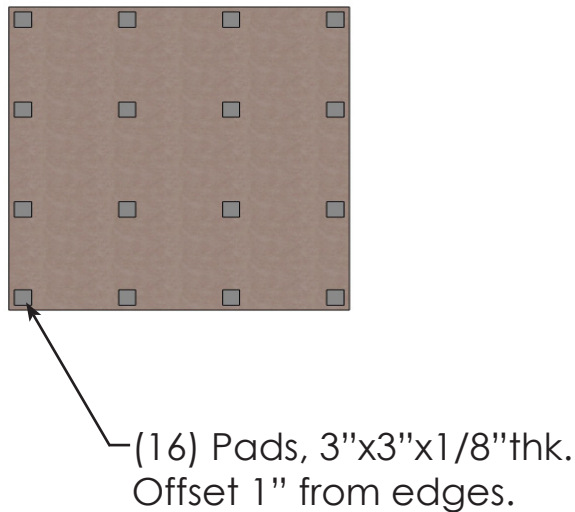


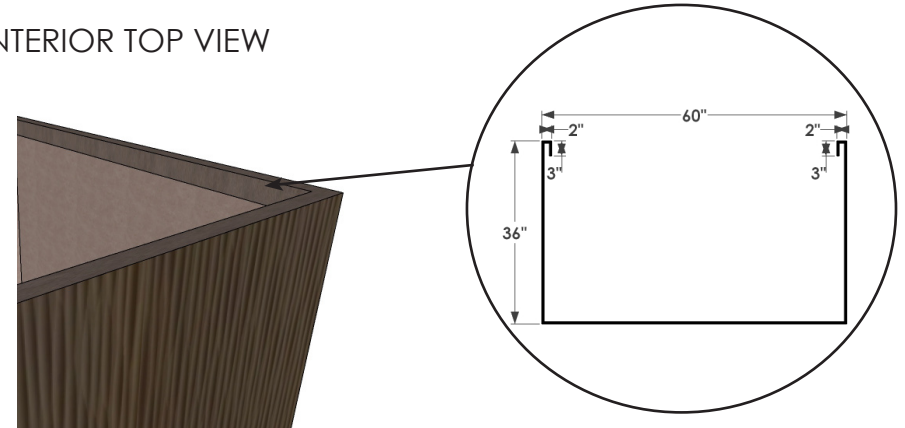
PERSPECTIVE VIEW



INTERIOR TOP VIEW



BOTTOM VIEW



TRIM PROFILE

General Notes:

1. Locate drainage holes next to pads.
  2. If no drain holes are requested it is assumed proper drainage will be added in the field
- Drainage: Yes \_\_\_ No \_\_\_

Date: 7/2020  
 Scale: NTS  
 DB: RMA  
 CB:  
 Rep: Brandon  
 Order#:

Content: Dune Square Fiberstone Planter  
 PN: C19-DUN-S6036-FS  
 Color/Finish:  
 Customer Approval:

Design by Planters Unlimited  
 All visual representations and designs are the intellectual property of Planters Unlimited and protected under copyright law. Any duplication of this design is in direct violation of the law and will result in legal action.  
 © Copyright 2008-2020

