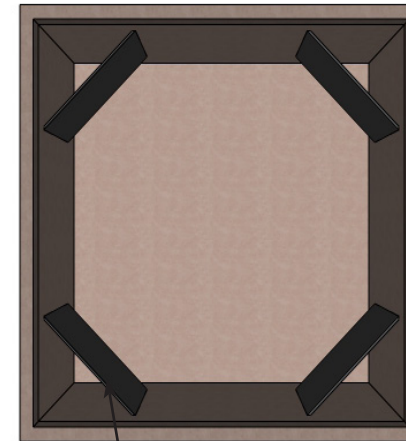
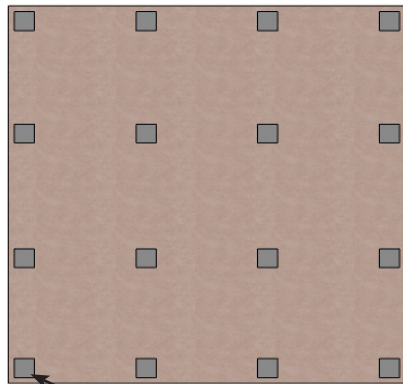


PERSPECTIVE VIEW



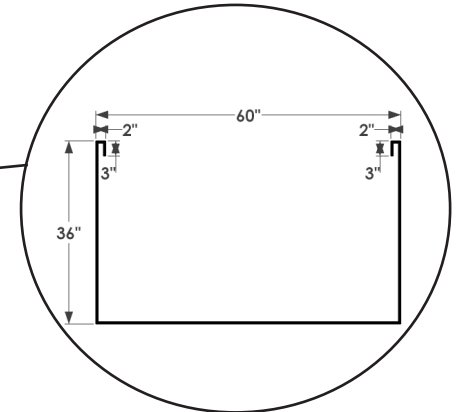
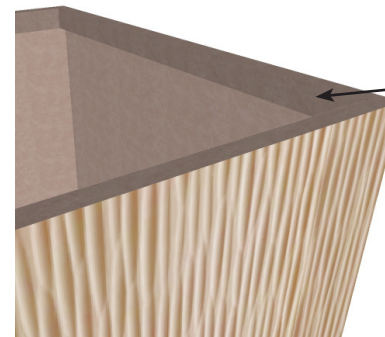
(4) Diagonal support.

INTERIOR TOP VIEW



(16) Pads, 3"x3"x1/8"thk.
Offset 1" from edges.

BOTTOM VIEW



TRIM PROFILE

General Notes:

1. Locate drainage holes next to pads.
 2. If no drain holes are requested it is assumed proper drainage will be added in the field
- Drainage: Yes ___ No ___

Date: 7/2020
Scale: NTS
DB: RMA
CB:
Rep:
Order#:

Content: Dune Square Fiberstone Planter
PN: C19-DUN-S6042-FS
Color/Finish:
Customer Approval:

Design by Planters Unlimited
All visual representations and designs are the intellectual property of Planters Unlimited and protected under copyright law. Any duplication of this design is in direct violation of the law and will result in legal action.
© Copyright 2008-2020

 **PLANTERS
UNLIMITED**
T:888-320-0626 F:760-598-9888