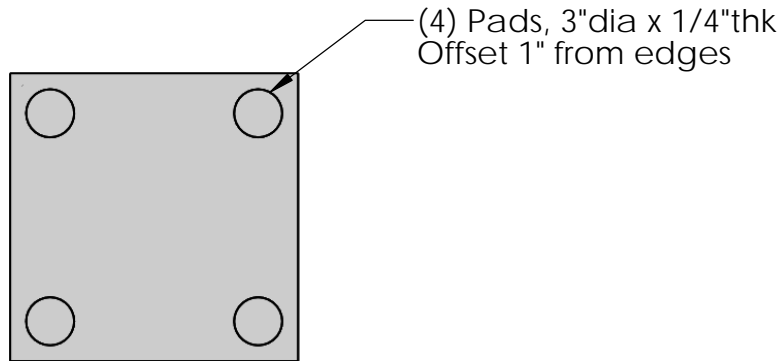


PERSPECTIVE VIEW



BOTTOM VIEW

NOTES:

1. Locate drainage holes next to pads
 2. If no drain holes are requested it is assumed proper drainage will be added in the field
- Drainage: Yes___ No___

Date:
Scale: NTS
DB:
CB:
Rep:
Order #:

Content: Modern Square Cast Stone Planter
PN: C19-MOD-S1818
Color/Finish:
Customer Approval: _____

Design by Hooks and Lattice. All visual representations and designs are the intellectual property of Hooks and Lattice and protected under copyright law. Any duplication of this design is in direct violation of the law and will result in legal action.
© Copyright 2008-2017



PLANTERS
UNLIMITED
T: 800-896-0978 F: 760-603-0862