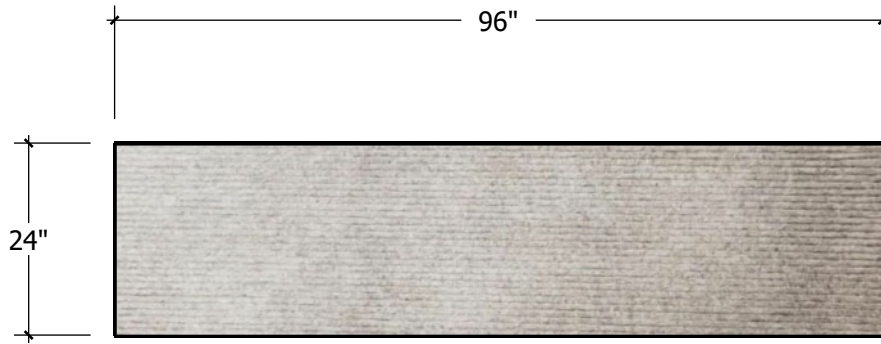
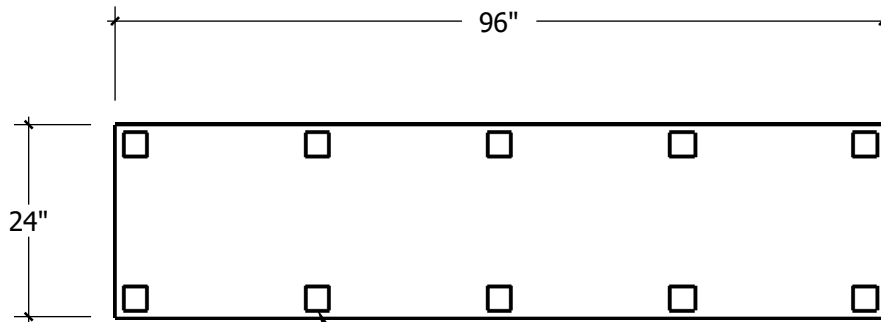


General Notes:

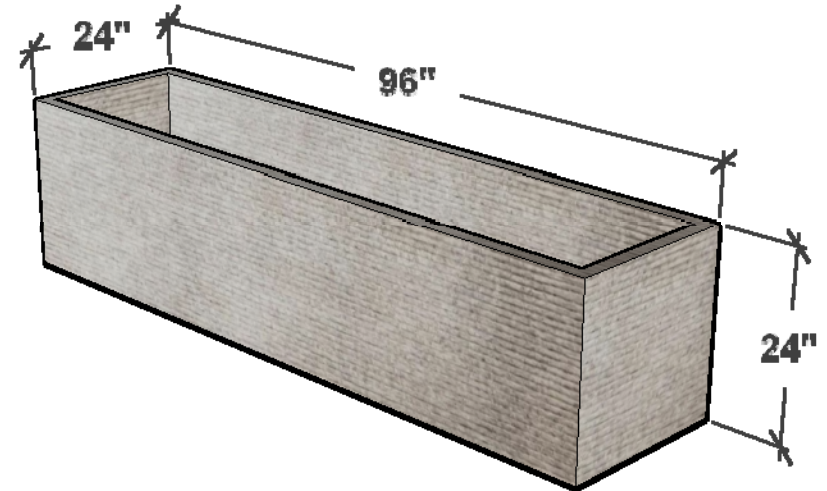
1. Do you want our Standard Drainage Holes? (1/2" dia. holes) Yes: ___ No: ___
2. If no drain holes are requested it is assumed proper drainage will be added in the field.



FRONT VIEW



BOTTOM VIEW



PERSPECTIVE VIEW

Date: 03/2021
Scale: NTS
DB: IG
Rep:
Order#:

Content: Verso Fiberstone Planter - 96" x 24" x 24"h
PN: C19-VER-REC962424-FS
Color/Finish:
Customer Approval: _____

Design by Planters Unlimited
All visual representations and designs are the intellectual property of Planters Unlimited and are protected under Copyright law. Any duplication of this design is in direct violation of the law and will result in legal action.

© Copyright 2008-2019

**PLANTERS**
UNLIMITED
T:888-320-0626 F:760-598-9888