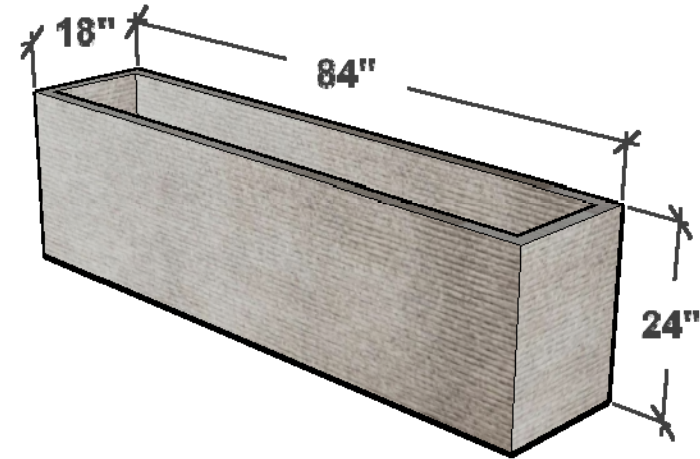


General Notes:

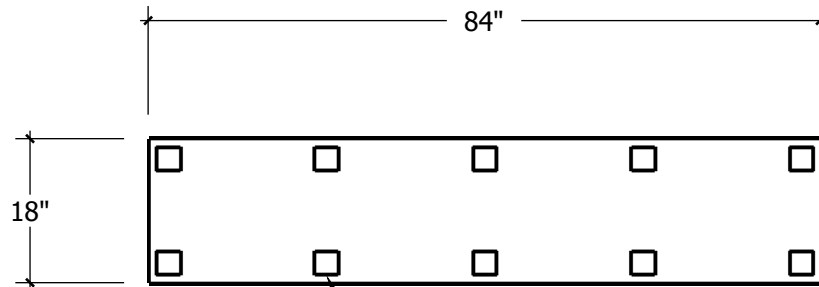
1. Do you want our Standard Drainage Holes? (1/2" dia. holes) Yes: ___ No: ___
2. If no drain holes are requested it is assumed proper drainage will be added in the field.



FRONT VIEW



PERSPECTIVE VIEW



(10) Pads, 3" x 3" x 1/8 Thk
Offset 1" from edges.

BOTTOM VIEW

Date: 03/2021
Scale: NTS
DB: IG
Rep:
Order#:

Content: Verso Fiberstone Planter - 84" x 18" x 24"h

PN: C19-VER-REC841824-FS

Color/Finish:

Customer Approval: _____

Design by Planters Unlimited
All visual representations and designs
are the intellectual property of Planters
Unlimited and are protected under Copyright
law. Any duplication of this design is in
direct violation of the law and will result
in legal action.

© Copyright 2008-2019

