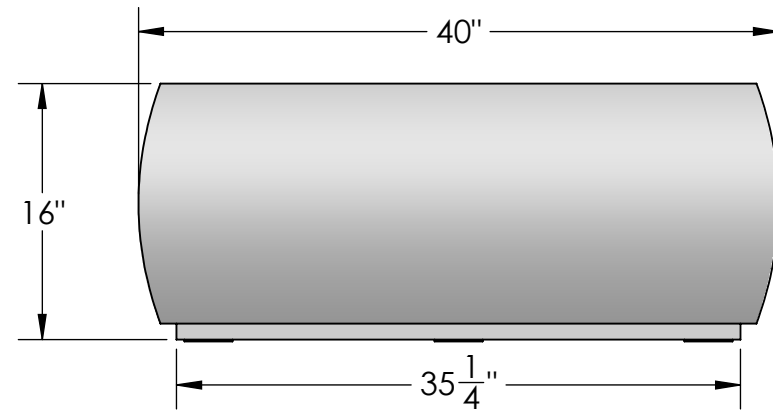
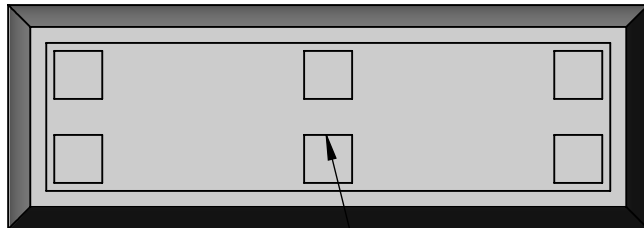


PERSPECTIVE VIEW



ELEVATION VIEW



(6) Pads, 4" x 4" x 1/8" thk.
Offset 1/2" from edges

BOTTOM VIEW

NOTES:

1. Locate drainage holes next to pads
 2. If no drain holes are requested it is assumed proper drainage will be added in the field
- Drainage: Yes___ No___

Date:
Scale: NTS
DB: JL
CB:
Rep:
Order #:

Content: Kahn Rectangular Cast Stone Planter
PN: C19-KAH-REC401416
Color/Finish:
Customer Approval: _____

Design by Hooks and Lattice. All visual representations and designs are the intellectual property of Hooks and Lattice and protected under copyright law. Any duplication of this design is in direct violation of the law and will result in legal action.
© Copyright 2008-2017



PLANTERS
UNLIMITED

T: 800-896-0978 F: 760-603-0862