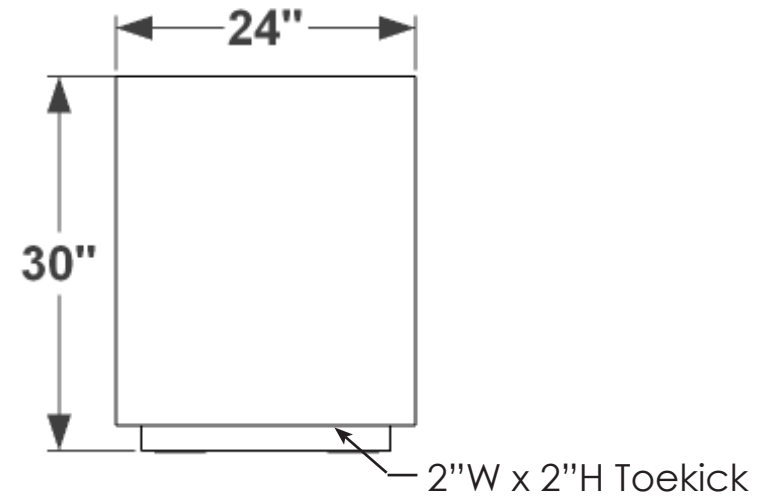
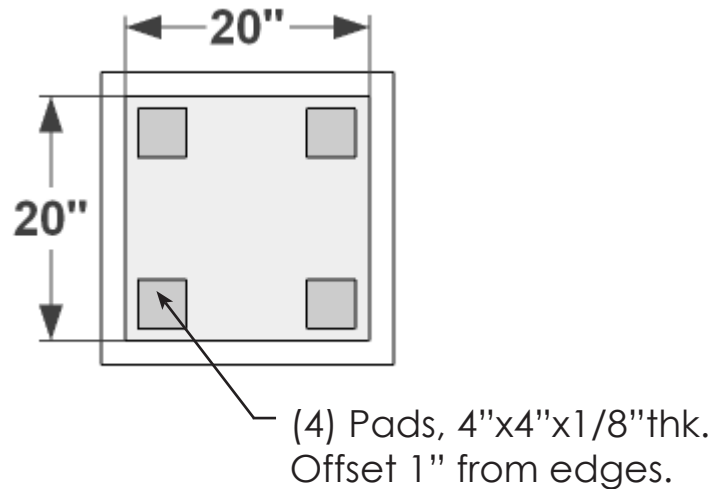


PERSPECTIVE VIEW



ELEVATION VIEW



BOTTOM VIEW

General Notes:

1. Locate drainage holes next to pads
2. If no drain holes are requested it is assumed proper drainage will be added in the field

Drainage: Yes\_\_\_ No\_\_\_

Date:  
Scale: NTS  
DB: GGG  
CB:  
Rep:  
Order#:

Content: Marek Square Fiberglass Planter  
PN: F1-MAR-S2430  
Color/Finish:  
Customer Approval:

Design by Planters Unlimited  
All visual representations and designs are the intellectual property of Planters Unlimited and protected under copyright law. Any duplication of this design is in direct violation of the law and will result in legal action.  
© Copyright 2008-2016



**PLANTERS  
UNLIMITED**  
T:888-320-0626 F:760-598-9888