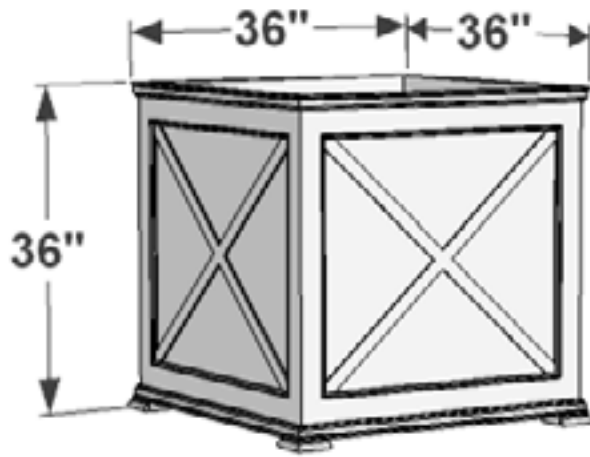
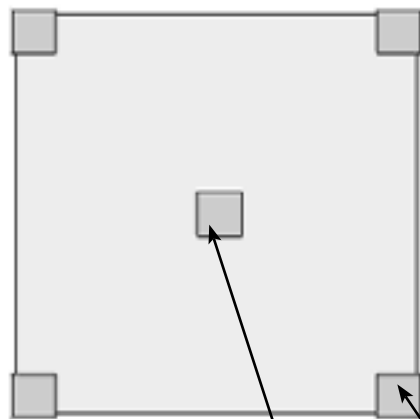


General Notes:

- 1. 1"x1" PVC supports along interior seams



PERSPECTIVE VIEW



(4) 1"H Decorative Feet.  
(1) 4"Lx4"Wx1"H Extra Feet.

BOTTOM VIEW

Date:  
Scale: NTS  
DB: RMA  
CB:  
Rep:  
Order#:

Content: Lexington Composite Planters  
PN: A2-P700-S3636  
Color/Finish:  
Customer Approval:

Design by Planters Unlimited  
All visual representations and designs  
are the intellectual property of  
Planters Unlimited and protected  
under copyright law. Any duplication  
of this design is in direct violation of  
the law and will result in legal action.  
© Copyright 2008-2016



T:888-320-0626

F:760-598-9888