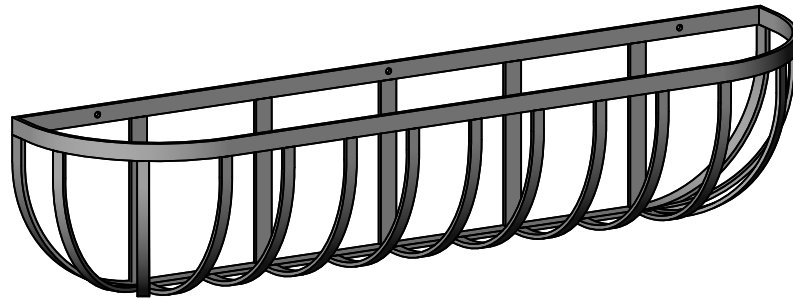
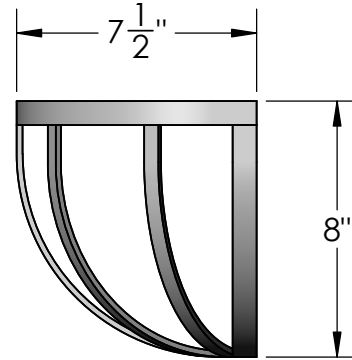


General Notes:

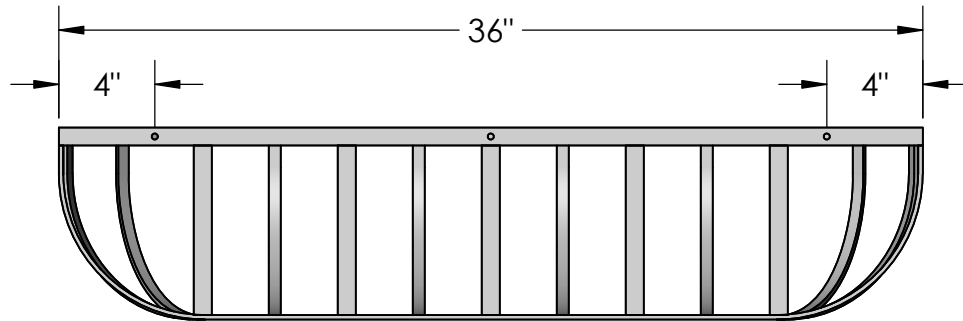
- 1. Frame: 3/4"W x 1/8" Thk Flat Bar
- 2. Rear Supports: 3/4"W x 1/8" Thk Flat Bar, 6" Spacing O.C.
- 3. Front Bars: 1/2"W x 1/8" Thk Flat Bar, 3" Spacing O.C.
- 4. Mounting Holes:  $\varnothing$  1/4"



PERSPECTIVE VIEW



SIDE VIEW



BACK VIEW

Date:  
 Scale: NTS  
 DB: ZB  
 CB:  
 Rep:  
 Order #:

Content: English Garden Window Box  
 PN: 500B-36  
 Color/Finish: Black Powder Coat  
 Customer Approval: \_\_\_\_\_

Design by Hooks and Lattice. All visual representations and designs are the intellectual property of Hooks and Lattice and protected under copyright law. Any duplication of this design is in direct violation of the law and will result in legal action.  
 © Copyright 2008-2017



**HOOKS & LATTICE**  
 T: 800-896-0978 F: 760-603-0862